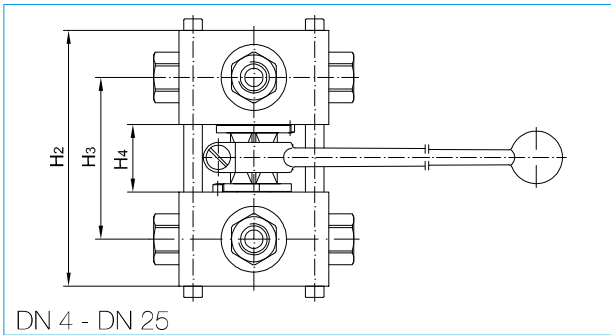


Multi-way ball valves with trunnion ball

Steel or stainless steel · as combination

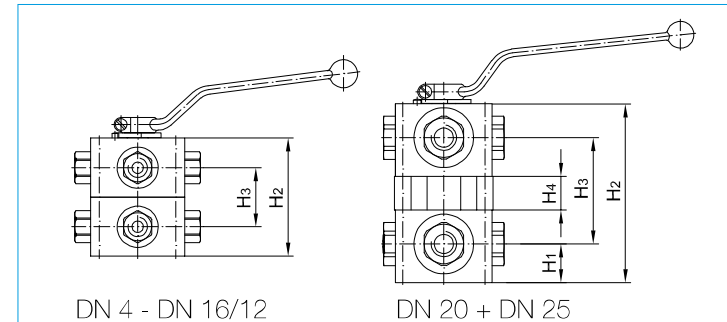


Handle included in delivery
 For dimensions and article-numbers for ball valve bodies refer to the respective chapter.
 Custom orders on request
 All dimensions subject to change without notice
 Dimensions in mm

Also available completely assembled

Connection	DN	H2	H3	H4	Handle Code
ALL	4	114	74	34	44
	6	114	74	34	44
	8	136	86	36	45
	10	136	86	36	45
	12	146	91	36	45
	16/12	146	91	36	45
	20	195	115	45	47
25	207	120	45	47	

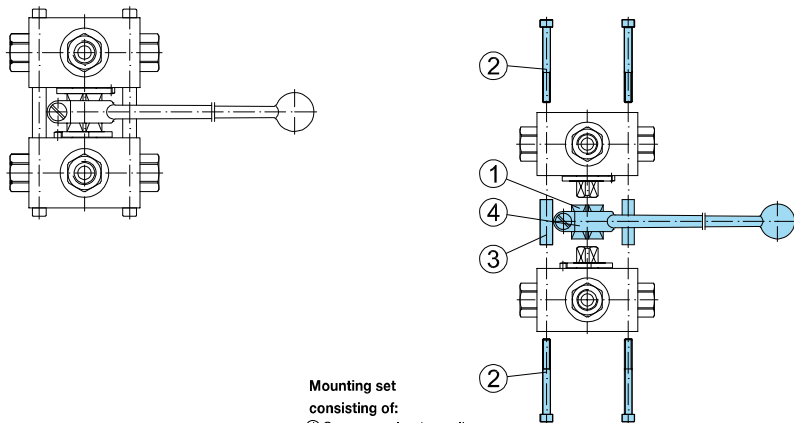
Mounting-sets	
Article-No. (Steel)	Article-No. (Stainless steel)
203 890	203 950
203 890	203 950
203 891	203 951
203 891	203 951
203 892	203 952
203 892	203 952
203 893	203 953
203 894	203 954



Handle included in delivery
 For dimensions and article-numbers for ball valve bodies refer to the respective chapter.
 Custom orders on request
 All dimensions subject to change without notice
 Dimensions in mm

Connection	DN	H1	H2	H3	H4	Handle Code
ALL	4	-	80	40	-	7
	6	-	80	40	-	7
	8	-	100	50	-	8
	10	-	100	50	-	8
	12	-	110	55	-	8
	16/12	-	110	55	-	8
	20	40,0	185	110	35	10
	25	43,5	197	116	35	10

Combination consisting of:
 two multi-way ball valves (without handle) and one mounting set



Mounting set consisting of:
 ① Square pre-load coupling
 ② Hex-head bolt (6 pc.)
 ③ Spacer sleeves (3 pc.)
 ④ Handle

