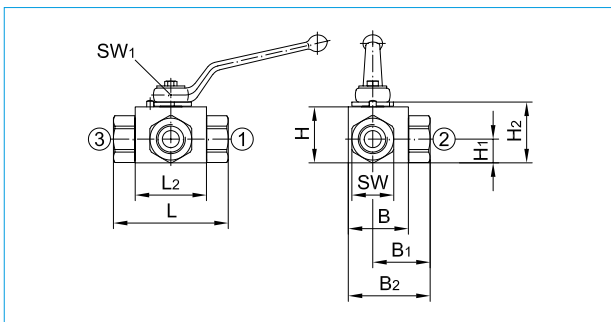


# Multi-way ball valves with floating ball

3-way · steel · threaded connector · DN 4 - DN 40/25



Handle included in delivery. For handle refer to "Attachments, accessories"

✦ Application of pressure only as indicated in chapter "Technical information"

Please check pressure rating of the pipe fittings!

Actuators and custom orders on request

All dimensions subject to change without notice

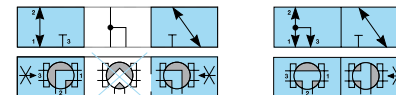
Also available with most other connections

All ball valves available with mounting plate

Dimensions in mm

Weight in kg

Pressure in bar

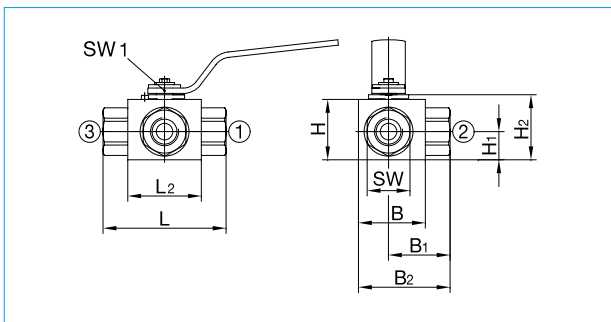


Bore:	L	T
Cycling:	90°	90°
Body:	steel	steel
Ball:	steel, hard chrome plated	steel, hard chrome plated
Stem:	steel	steel
Ball seats:	POM	POM
Stem seats:	NBR	NBR

Connection	DN	Thread D	RA	L	L1	L2	B	B1	B2	H	H1	H2	SW	SW1	Handle Code	Weight	DN	PN	Article-No.	PN	Article-No.
For cut (clamp) ring tube fittings DIN 2353 light series ISO 8434-1	4	M12 x 1,5	6	67	10	36	30	33,5	45,5	30	15,0	32,5	19	7	1	0,32	4	500	200 151	500	200 191
	6	M14 x 1,5	8	67	10	36	30	33,5	45,5	30	15,0	32,5	19	7	1	0,32	6	500	200 152	500	200 192
	8	M16 x 1,5	10	75	11	45	40	37,5	55,0	35	14,5	38,5	24	8	2	0,55	8	500	200 153	500	200 193
	10	M18 x 1,5	12	75	11	45	40	37,5	55,0	35	14,5	38,5	24	8	2	0,55	10	500	200 154	500	200 194
	12	M22 x 1,5	15	83	12	51	45	41,5	61,0	45	22,0	48,5	30	10	3	0,89	12	500	200 155	500	200 195
	16	M26 x 1,5	18	82	12	50	50	41,0	66,0	50	25,0	53,5	36	10	3	1,05	16	400	200 156	400	200 196
	20	M30 x 2	22	99	14	60	55	51,0	74,5	60	29,0	64,0	41	14	53	1,61	20	400	200 157	400	200 197
	25	M36 x 2	28	108	14	70	65	54,0	84,0	65	31,0	69,0	50	14	53	2,27	25	400	200 158	400	200 198
	32/25	M45 x 2	35	116	16	70	65	58,0	88,0	65	31,0	69,0	50	14	53	2,48	32/25	400	200 159	400	200 199
	40/25	M52 x 2	42	121	16	70	65	60,5	90,5	65	31,0	69,0	55	14	53	2,60	40/25	400	200 160	400	200 200
For cut (clamp) ring tube fittings DIN 2353 heavy series ISO 8434-1	4	M16 x 1,5	8	73	12	36	30	36,5	48,5	30	15,0	32,5	19	7	1	0,35	4	500	200 161	500	200 201
	6	M18 x 1,5	10	73	12	36	30	36,5	48,5	30	15,0	32,5	19	7	1	0,35	6	500	200 162	500	200 202
	8	M20 x 1,5	12	77	12	46	40	38,5	56,0	35	14,5	38,5	24	8	2	0,57	8	500	200 163	500	200 203
	10	M22 x 1,5	14	81	14	45	40	40,5	58,0	35	14,5	38,5	24	8	2	0,57	10	500	200 164	500	200 204
	12	M24 x 1,5	16	87	14	51	45	43,5	63,0	45	22,0	48,5	30	10	3	0,91	12	500	200 165	500	200 205
	16	M30 x 2	20	90	16	50	50	45,0	70,0	50	25,0	53,5	36	10	3	1,12	16	400	200 166	400	200 206
	20	M36 x 2	25	107	18	60	55	55,0	78,5	60	29,0	64,0	41	14	53	1,72	20	400	200 167	400	200 207
	25	M42 x 2	30	120	20	70	65	60,0	90,0	65	31,0	69,0	50	14	53	2,44	25	400	200 168	400	200 208
	32/25	M52 x 2	38	134	22	70	65	67,0	97,0	65	31,0	69,0	55	14	53	2,95	32/25	400	200 169	400	200 209
	BSP-female thread DIN EN ISO 228-1	4	G 1/8	-	69	12	36	30	34,5	46,5	30	15,0	32,5	19	7	1	0,37	4	500	200 171	500
6		G 1/4	-	69	12	36	30	34,5	46,5	30	15,0	32,5	19	7	1	0,34	6	500	200 172	500	200 212
10		G 3/8	-	73	14	45	40	36,5	54,0	35	14,5	38,5	24	8	2	0,57	10	500	200 173	500	200 213
12		G 1/2	-	82	15	51	45	41,0	60,5	45	22,0	48,5	30	10	3	0,94	12	500	200 174	500	200 214
16		G 5/8	-	88	18	50	50	44,0	69,0	50	25,0	53,5	36	10	3	1,24	16	400	200 175	400	200 215
20		G 3/4	-	93	18	60	55	48,0	71,5	60	29,0	64,0	41	14	53	1,72	20	400	200 176	400	200 216
25		G1	-	115	18	70	65	57,5	87,5	65	31,0	69,0	50	14	53	2,65	25	400	200 177	400	200 217
32/25		G1 1/4	-	134	20	70	65	67,0	97,0	65	31,0	69,0	50	14	53	2,71	32/25	400	200 178	400	200 218
40/25	G1 1/2	-	139	22	70	65	69,5	99,5	65	31,0	69,0	55	14	53	2,91	40/25	400	200 179	400	200 219	
NPT-female thread ANSI/ASME B1.20.1-1983	4	1/8 - 27 NPT	-	69	6,9	36	30	34,5	46,5	30	15,0	32,5	19	7	1	0,37	4	500	200 181	500	200 221
	6	1/4 - 18 NPT	-	69	10,0	36	30	34,5	46,5	30	15,0	32,5	19	7	1	0,34	6	500	200 182	500	200 222
	10	3/8 - 18 NPT	-	73	10,3	45	40	36,5	54,0	35	14,5	38,5	24	8	2	0,57	10	500	200 183	500	200 223
	12	1/2 - 14 NPT	-	82	13,6	51	45	41,0	60,5	45	22,0	48,5	30	10	3	0,94	12	500	200 184	500	200 224
	20	3/4 - 14 NPT	-	93	14,1	60	55	48,0	71,5	60	29,0	64,0	41	14	53	1,75	20	400	200 185	400	200 225
	25	1 - 11 1/2 NPT	-	115	16,8	70	65	57,5	87,5	65	31,0	69,0	50	14	53	2,71	25	400	200 186	400	200 226
	32/25	1 1/4 - 11 1/2 NPT	-	134	17,3	70	65	67,0	97,0	65	31,0	69,0	50	14	53	2,79	32/25	400	200 187	400	200 227
	40/25	1 1/2 - 11 1/2 NPT	-	139	17,3	70	65	69,5	99,5	65	31,0	69,0	55	14	53	2,94	40/25	400	200 188	400	200 228

# Multi-way ball valves with floating ball

3-way · stainless steel · threaded connector · DN 4 - DN 25



Handle included in delivery. For handle refer to "Attachments, accessories".

✳ Application of pressure only as indicated in chapter "Technical information"

Please check pressure rating of the pipe fittings!

Full-PTFE-version, actuators and custom orders on request

Stainless steel (material no.1.4571 - or other stainless steels)

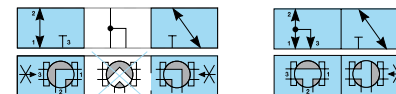
All ball valves available with mounting plate. Also available with most other connections

All dimensions subject to change without notice

Dimensions in mm

Weight in kg

Pressure in bar

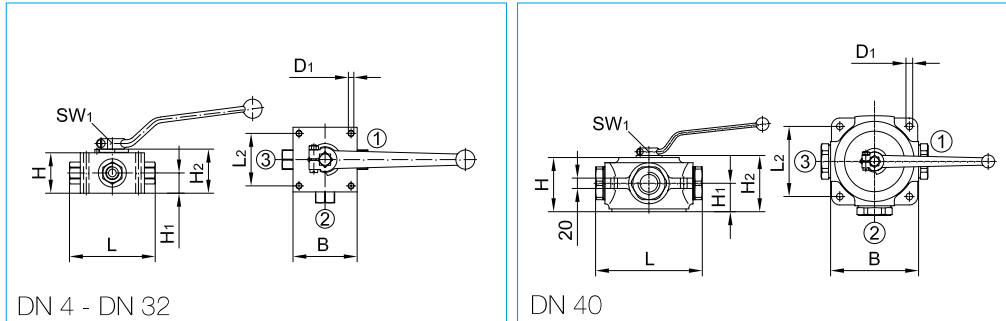


Bore:	L	T
Cycling:	90°	90°
Body:	stainless steel	stainless steel
Ball:	stainless steel	stainless steel
Stem:	stainless steel	stainless steel
Ball seats:	POM	POM
Stem seats:	NBR	NBR

Connection	DN	Thread D	RA	L	L <sub>1</sub>	L <sub>2</sub>	B	B <sub>1</sub>	B <sub>2</sub>	H	H <sub>1</sub>	H <sub>2</sub>	SW	SW <sub>1</sub>	Handle Code	Weight	DN	PN	Article-No.	PN	Article-No.
For cut (clamp) ring tube fittings DIN 2353 light series ISO 8434-1	4	M12 x 1,5	6	73	10	41	35	36,5	51,1	35	18,7	38,5	22	7	26	0,47	4	500	201 140	500	201 169
	6	M14 x 1,5	8	73	10	41	35	36,5	51,1	35	18,7	38,5	22	7	26	0,50	6	500	201 141	500	201 170
	8	M16 x 1,5	10	87	11	53	45	43,5	62,3	45	23,0	49,5	30	8	27	0,98	8	500	201 142	500	201 171
	10	M18 x 1,5	12	87	11	53	45	43,5	62,3	45	23,0	49,5	30	8	27	0,98	10	500	201 143	500	201 172
	12	M22 x 1,5	15	91	12	55	50	45,8	68,3	50	26,0	54,5	32	10	28	1,23	12	500	201 144	500	201 173
	16	M26 x 1,5	18	101	12	65	60	52,5	78,0	60	26,0	65,0	46	14	29	2,50	16	315	201 198	315	201 199
For cut (clamp) ring tube fittings DIN 2353 heavy series ISO 8434-1	20	M30 x 2	22	105	14	65	60	54,5	80,0	60	26,0	65,0	46	14	29	2,57	20	315	201 146	315	201 175
	25	M36 x 2	28	112	14	71	70	58,5	90,5	70	33,0	75,0	50	14	29	3,19	25	315	201 147	315	201 176
	4	M16 x 1,5	8	76	12	41	35	38,0	52,6	35	18,7	38,5	22	7	26	0,49	4	500	201 148	500	201 177
	6	M18 x 1,5	10	76	12	41	35	38,0	52,6	35	18,7	38,5	22	7	26	0,49	6	500	201 149	500	201 178
	8	M20 x 1,5	12	89	12	53	45	44,5	63,3	45	23,0	49,5	30	8	27	1,01	8	500	201 150	500	201 179
	10	M22 x 1,5	14	93	14	53	45	46,5	65,3	45	23,0	49,5	30	8	27	1,02	10	500	201 151	500	201 180
BSP-female thread DIN EN ISO 228-1	12	M24 x 1,5	16	96	14	55	50	48,3	70,8	50	26,0	54,5	32	10	28	1,25	12	500	201 152	500	201 181
	16	M30 x 2	20	101	16	65	60	56,5	82,0	60	26,0	65,0	46	14	29	2,60	16	315	201 136	315	201 137
	20	M36 x 2	25	113	18	65	60	58,5	84,0	60	26,0	65,0	46	14	29	2,66	20	315	201 154	315	201 183
	25	M42 x 2	30	124	20	71	70	64,5	96,5	70	33,0	75,0	50	14	29	3,31	25	315	201 155	315	201 184
	4	G 1/8	-	69	11	41	35	34,5	49,1	35	18,7	38,5	22	7	26	0,52	4	500	201 156	500	201 185
	6	G 1/4	-	75	14	41	35	37,5	52,1	35	18,7	38,5	22	7	26	0,53	6	500	201 157	500	201 186
NPT-female thread ANSI/ASME B1.20.1-1983	10	G 3/8	-	86	14	53	45	43,0	61,8	45	23,0	49,5	30	8	27	1,09	10	500	201 158	500	201 187
	12	G 1/2	-	92	16	55	50	46,3	68,8	50	26,0	54,5	32	10	28	1,33	12	500	201 159	500	201 188
	16	G 5/8	-	111	19	65	60	57,5	83,0	60	26,0	65,0	46	14	29	2,80	16	315	201 138	315	201 139
	20	G 3/4	-	111	20	65	60	57,5	83,0	60	26,0	65,0	46	14	29	2,87	20	315	201 161	315	201 190
	25	G1	-	122	22	71	70	63,5	95,5	70	33,0	75,0	50	14	29	3,54	25	315	201 162	315	201 191
	4	1/8 - 27 NPT	-	82	6,9	41	35	41,0	55,6	35	18,7	38,5	22	7	26	0,54	4	500	201 163	500	201 192
6	1/4 - 18 NPT	-	82	10,0	41	35	41,0	55,6	35	18,7	38,5	22	7	26	0,54	6	500	201 164	500	201 193	
10	3/8 - 18 NPT	-	95	10,3	53	45	47,5	66,3	45	23,0	49,5	30	8	27	1,11	10	500	201 165	500	201 194	
12	1/2 - 14 NPT	-	108	13,6	55	50	54,3	76,8	50	26,0	54,5	32	10	28	1,39	12	500	201 166	500	201 195	
20	3/4 - 14 NPT	-	111	14,1	65	60	57,5	83,0	60	26,0	65,0	46	14	29	2,87	20	315	201 167	315	201 196	
25	1 - 11 1/2 NPT	-	122	16,8	71	70	63,5	95,5	70	33,0	75,0	50	14	29	3,54	25	315	201 168	315	201 197	

# Multi-way ball valves with trunnion ball

## 3-way · steel · threaded connector · DN 4 - DN 40



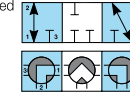
Handle included in delivery

For more porting patterns refer to "Standard- and special porting patterns".

Also available with most other connections

Please check pressure rating of the pipe fittings!

- 1) up to 100 bar to be operated manually
- 2) DN 32: steel, hard chrome plated
- 3) DN 40: grey cast iron, hard chrome plated



For handles refer to "Attachments, accessories"

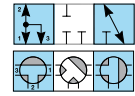
Actuators and custom orders on request

All dimensions subject to change without notice

Dimensions in mm

Weight in kg

Pressure in bar



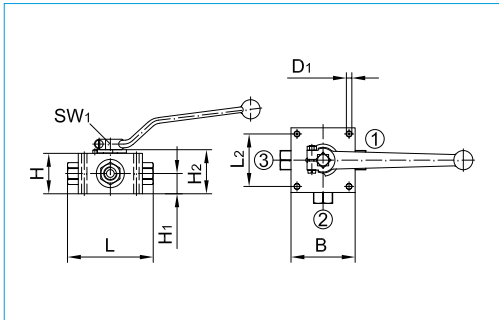
Connection	DN	Thread D	RA	L	L1	L2	B	H	H1	H2	D1	SW	SW1	Handle Code	Weight
For cut (clamp) ring tube fittings DIN 2353 light series ISO 8434-1	4	M12 x 1,5	6	100	10	55	70	40	20,0	44,5	6,7	19	12	7	1,58
	6	M14 x 1,5	8	100	10	55	70	40	20,0	44,5	6,7	19	12	7	1,57
	8	M16 x 1,5	10	109	11	65	80	50	25,0	54,5	6,7	24	14	8	2,50
	10	M18 x 1,5	12	109	11	65	80	50	25,0	54,5	6,7	24	14	8	2,50
	12	M22 x 1,5	15	130	12	80	100	55	27,5	59,5	8,4	30	14	8	4,16
	16/12	M26 x 1,5	18	136	12	80	100	55	27,5	59,5	8,4	30	14	8	4,26
	20	M30 x 2	22	138	14	85	100	75	40,0	79,5	8,4	41	19	10	5,71
	25	M36 x 2	28	157	14	105	120	81	43,5	85,5	10,5	50	19	10	8,60
	32	M45 x 2	35	210	16	106	180	100	50,0	104,5	10,5	60	19	10	17,10
	40	M52 x 2	42	256	16	150	190	116	61,0	120,5	14,5	75	19	10	20,84
For cut (clamp) ring tube fittings DIN 2353 heavy series ISO 8434-1	4	M16 x 1,5	8	106	12	55	70	40	20,0	44,5	6,7	19	12	7	1,61
	6	M18 x 1,5	10	106	12	55	70	40	20,0	44,5	6,7	19	12	7	1,61
	8	M20 x 1,5	12	111	12	65	80	50	25,0	54,5	6,7	24	14	8	2,52
	10	M22 x 1,5	14	115	14	65	80	50	25,0	54,5	6,7	24	14	8	2,53
	12	M24 x 1,5	16	134	14	80	100	55	27,5	59,5	8,4	30	14	8	4,15
	16/12	M30 x 2	20	144	16	80	100	55	27,5	59,5	8,4	36	14	8	4,32
	20	M36 x 2	25	146	18	85	100	75	40,0	79,5	8,4	41	19	10	5,82
	25	M42 x 2	30	169	20	105	120	81	43,5	85,5	10,5	50	19	10	8,73
	32	M52 x 2	38	222	22	106	180	100	50,0	104,5	10,5	60	19	10	17,40
	BSP-female thread DIN EN ISO 228-1	4	G 1/8	-	102	12	55	70	40	20,0	44,5	6,7	19	12	7
6		G 1/4	-	102	12	55	70	40	20,0	44,5	6,7	19	12	7	1,60
10		G 3/8	-	107	14	65	80	50	25,0	54,5	6,7	24	14	8	2,51
12		G 1/2	-	129	15	80	100	55	27,5	59,5	8,4	30	14	8	4,20
16/12		G 5/8	-	146	18	80	100	55	27,5	59,5	8,4	36	14	8	4,31
20		G 3/4	-	132	18	85	100	75	40,0	79,5	8,4	41	19	10	5,82
25		G1	-	162	20	105	120	81	43,5	85,5	10,5	50	19	10	8,95
32		G1 1/4	-	188	20	106	180	100	50,0	104,5	10,5	60	19	10	16,61
40		G1 1/2	-	224	25	150	190	116	61,0	120,5	14,5	75	19	10	20,30
NPT-female thread ANSI/ASME B1.20.1-1983		4	1/8 - 27 NPT	-	102	6,9	55	70	40	20,0	44,5	6,7	19	12	7
	6	1/4 - 18 NPT	-	102	10,0	55	70	40	20,0	44,5	6,7	19	12	7	1,60
	10	3/8 - 18 NPT	-	107	10,3	65	80	50	25,0	54,5	6,7	24	14	8	2,51
	12	1/2 - 14 NPT	-	129	13,6	80	100	55	27,5	59,5	8,4	30	14	8	4,20
	20	3/4 - 14 NPT	-	132	14,1	85	100	75	40,0	79,5	8,4	41	19	10	5,82
	25	1 - 11 1/2 NPT	-	162	16,8	105	120	81	43,5	85,5	10,5	50	19	10	8,95
	32	1 1/4 - 11 1/2 NPT	-	188	17,3	106	180	100	50,0	104,5	10,5	60	19	10	16,61
	40	1 1/2 - 11 1/2 NPT	-	224	17,3	150	190	116	61,0	120,5	14,5	75	19	10	20,30

Bore:	L	L	T	T
Cycling:	90°	90°	90°	90°
Body <sup>3)</sup> :	steel	steel	steel	steel
Trunnion ball <sup>2)</sup> :	brass, hard chrome plated	brass, hard chrome plated	brass, hard chrome plated	brass, hard chrome plated
Ball seats:	POM	PTFE	POM	PTFE
Shaft seals:	NBR	FKM	NBR	FKM

DN	PN	Article-No.	PN	Article-No.	PN	Article-No.	PN	Article-No.
4	500	202 001	100	202 026	500	202 051	100	202 076
6	500	202 002	100	202 027	500	202 052	100	202 077
8	500	202 003	100	202 028	500	202 053	100	202 078
10	500	202 004	100	202 029	500	202 054	100	202 079
12	500	202 005	100	202 030	500	202 055	100	202 080
16/12	500	202 006	100	202 031	500	202 056	100	202 081
20	315	202 901	100	202 902	315	202 903	100	202 904
25	315	202 921	100	202 922	315	202 923	100	202 924
32	315 <sup>1)</sup>	202 253	100	202 278	315 <sup>1)</sup>	202 303	100	202 328
40	100	202 940	100	202 955	100	202 970	100	202 985
4	500	202 007	100	202 032	500	202 057	100	202 082
6	500	202 008	100	202 033	500	202 058	100	202 083
8	500	202 009	100	202 034	500	202 059	100	202 084
10	500	202 010	100	202 035	500	202 060	100	202 085
12	500	202 011	100	202 036	500	202 061	100	202 086
16/12	500	202 012	100	202 037	500	202 062	100	202 087
20	315	202 905	100	202 906	315	202 907	100	202 908
25	315	202 925	100	202 926	315	202 927	100	202 928
32	315 <sup>1)</sup>	202 257	100	202 282	315 <sup>1)</sup>	202 307	100	202 332
4	500	202 013	100	202 038	500	202 063	100	202 088
6	500	202 014	100	202 039	500	202 064	100	202 089
10	500	202 015	100	202 040	500	202 065	100	202 090
12	500	202 016	100	202 041	500	202 066	100	202 091
16/12	500	202 017	100	202 042	500	202 067	100	202 092
20	315	202 909	100	202 910	315	202 911	100	202 912
25	315	202 929	100	202 930	315	202 931	100	202 932
32	315 <sup>1)</sup>	202 260	100	202 285	315 <sup>1)</sup>	202 310	100	202 335
40	100	202 947	100	202 962	100	202 977	100	202 992
4	500	202 018	100	202 043	500	202 068	100	202 093
6	500	202 019	100	202 044	500	202 069	100	202 094
10	500	202 020	100	202 045	500	202 070	100	202 095
12	500	202 021	100	202 046	500	202 071	100	202 096
20	315	202 913	100	202 914	315	202 915	100	202 916
25	315	202 933	100	202 934	315	202 935	100	202 936
32	315 <sup>1)</sup>	202 264	100	202 289	315 <sup>1)</sup>	202 314	100	202 339
40	100	202 951	100	202 966	100	202 981	100	202 996

# Multi-way ball valves with trunnion ball

3-way · stainless steel · threaded connector · DN 4 - DN 32



Handle included in delivery

For handles refer to "Attachments, accessories".

For more porting patterns refer to "Standard- and special porting patterns".

Stainless steel (material no.1.4571 - or other stainless steels)

Also available with most other connections

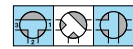
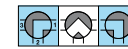
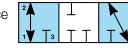
Actuators and custom orders on request

All dimensions subject to change without notice

Dimensions in mm

Weight in kg

Pressure in bar



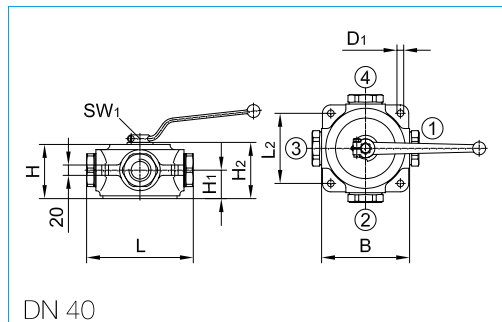
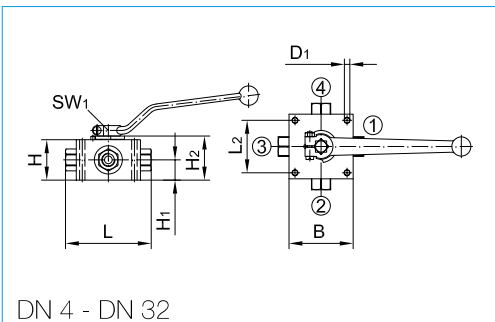
Bore:	L	L	T	T
Cycling:	90°	90°	90°	90°
Body:	stainless steel	stainless steel	stainless steel	stainless steel
Trunnion ball:	stainless steel	stainless steel	stainless steel	stainless steel
Ball seats:	PTFE	PTFE	PTFE	PTFE
Shaft seals:	FKM	FFKM	FKM	FFKM

Connection	DN	Thread D	RA	L	L1	L2	B	H	H1	H2	D1	SW	SW1	Handle Code	Weight
For cut (clamp) ring tube fittings DIN 2353 light series ISO 8434-1	4	M12 x 1,5	6	100	10	55	70	40	20,0	44,5	6,7	19	12	7	1,58
	6	M14 x 1,5	8	100	10	55	70	40	20,0	44,5	6,7	19	12	7	1,57
	8	M16 x 1,5	10	109	11	65	80	50	25,0	54,5	6,7	24	14	8	2,50
	10	M18 x 1,5	12	109	11	65	80	50	25,0	54,5	6,7	24	14	8	2,50
	12	M22 x 1,5	15	130	12	80	100	55	27,5	59,5	8,4	30	14	8	4,16
	16/12	M26 x 1,5	18	136	12	80	100	55	27,5	59,5	8,4	30	14	8	4,26
	20	M30 x 2	22	138	14	85	100	75	40,0	79,5	8,4	41	19	10	5,71
For cut (clamp) ring tube fittings DIN 2353 heavy series ISO 8434-1	25	M36 x 2	28	157	14	105	120	81	43,5	85,5	10,5	50	19	10	8,60
	32	M45 x 2	35	210	16	106	Ø180	100	50,0	104,5	10,5	60	19	10	17,10
	4	M16 x 1,5	8	106	12	55	70	40	20,0	44,5	6,7	19	12	7	1,61
	6	M18 x 1,5	10	106	12	55	70	40	20,0	44,5	6,7	19	12	7	1,61
	8	M20 x 1,5	12	111	12	65	80	50	25,0	54,5	6,7	24	14	8	2,52
	10	M22 x 1,5	14	115	14	65	80	50	25,0	54,5	6,7	24	14	8	2,53
	12	M24 x 1,5	16	134	14	80	100	55	27,5	59,5	8,4	30	14	8	4,15
BSP-female thread DIN EN ISO 228-1	16/12	M30 x 2	20	144	16	80	100	55	27,5	59,5	8,4	36	14	8	4,32
	20	M36 x 2	25	146	18	85	100	75	40,0	79,5	8,4	41	19	10	5,82
	25	M42 x 2	30	169	20	105	120	81	43,5	85,5	10,5	50	19	10	8,73
	32	M52 x 2	38	222	22	106	Ø180	100	50,0	104,5	10,5	60	19	10	17,40
	4	G 1/8	-	102	12	55	70	40	20,0	44,5	6,7	19	12	7	1,63
	6	G 1/4	-	102	12	55	70	40	20,0	44,5	6,7	19	12	7	1,60
	10	G 3/8	-	107	14	65	80	50	25,0	54,5	6,7	24	14	8	2,51
NPT-female thread ANSI/ASME B1.20.1-1983	12	G 1/2	-	129	15	80	100	55	27,5	59,5	8,4	30	14	8	4,20
	16/12	G 5/8	-	146	18	80	100	55	27,5	59,5	8,4	36	14	8	4,31
	20	G 3/4	-	132	18	85	100	75	40,0	79,5	8,4	41	19	10	5,82
	25	G1	-	162	20	105	120	81	43,5	85,5	10,5	50	19	10	8,95
	32	G1 1/4	-	188	20	106	Ø180	100	50,0	104,5	10,5	60	19	10	16,61
	4	1/8 - 27 NPT	-	102	6,9	55	70	40	20,0	44,5	6,7	19	12	7	1,63
	6	1/4 - 18 NPT	-	102	10,0	55	70	40	20,0	44,5	6,7	19	12	7	1,60
10	3/8 - 18 NPT	-	107	10,3	65	80	50	25,0	54,5	6,7	24	14	8	2,51	
12	1/2 - 14 NPT	-	129	13,6	80	100	55	27,5	59,5	8,4	30	14	8	4,20	
20	3/4 - 14 NPT	-	132	14,1	85	100	75	40,0	79,5	8,4	41	19	10	5,82	
25	1 - 11 1/2 NPT	-	162	16,8	105	120	81	43,5	85,5	10,5	50	19	10	8,95	
32	1 1/4 - 11 1/2 NPT	-	188	17,3	106	Ø180	100	50,0	104,5	10,5	60	19	10	16,61	

DN	PN	Article-No.	PN	Article-No.	PN	Article-No.	PN	Article-No.
4	100	202 501	100	202 526	100	202 551	100	202 576
6	100	202 502	100	202 527	100	202 552	100	202 577
8	100	202 503	100	202 528	100	202 553	100	202 578
10	100	202 504	100	202 529	100	202 554	100	202 579
12	100	202 505	100	202 530	100	202 555	100	202 580
16/12	100	202 506	100	202 531	100	202 556	100	202 581
20	100	202 751	100	202 776	100	202 801	100	202 826
25	100	202 752	100	202 777	100	202 802	100	202 827
32	100	202 753	100	202 778	100	202 803	100	202 828
4	100	202 507	100	202 532	100	202 557	100	202 582
6	100	202 508	100	202 533	100	202 558	100	202 583
8	100	202 509	100	202 534	100	202 559	100	202 584
10	100	202 510	100	202 535	100	202 560	100	202 585
12	100	202 511	100	202 536	100	202 561	100	202 586
16/12	100	202 512	100	202 537	100	202 562	100	202 587
20	100	202 755	100	202 780	100	202 805	100	202 830
25	100	202 756	100	202 781	100	202 806	100	202 831
32	100	202 757	100	202 782	100	202 807	100	202 832
4	100	202 513	100	202 538	100	202 563	100	202 588
6	100	202 514	100	202 539	100	202 564	100	202 589
10	100	202 515	100	202 540	100	202 565	100	202 590
12	100	202 516	100	202 541	100	202 566	100	202 591
16/12	100	202 517	100	202 542	100	202 567	100	202 592
20	100	202 758	100	202 783	100	202 808	100	202 833
25	100	202 759	100	202 784	100	202 809	100	202 834
32	100	202 760	100	202 785	100	202 810	100	202 835
4	100	202 518	100	202 543	100	202 568	100	202 593
6	100	202 519	100	202 544	100	202 569	100	202 594
10	100	202 520	100	202 545	100	202 570	100	202 595
12	100	202 521	100	202 546	100	202 571	100	202 596
20	100	202 762	100	202 787	100	202 812	100	202 837
25	100	202 763	100	202 788	100	202 813	100	202 838
32	100	202 764	100	202 789	100	202 814	100	202 839

# Multi-way ball valves with trunnion ball

## 4-way · steel · threaded connector · DN 4 - DN 40



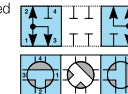
Handle included in delivery

For more porting patterns refer to "Standard- and special porting patterns".

Also available with most other connections

Please check pressure ratings of the pipe fittings!

- up to 100 bar to be operated manually
- DN 32: steel, hard chrome plated  
DN 40: grey cast iron, hard chrome plated
- DN 40: grey cast iron



For handles refer to "Attachments, accessories"

Actuators and custom orders on request

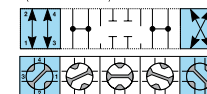
All dimensions subject to change without notice

Dimensions in mm

Weight in kg

Pressure in bar

(reduced bore)



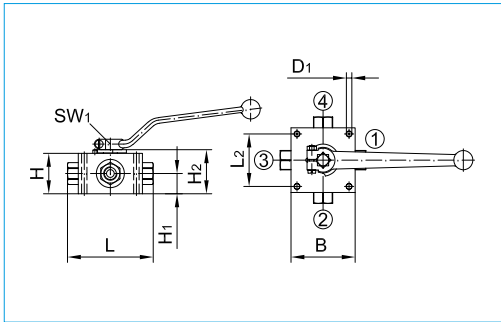
Bore:	T	T	Double-L	Double-L
Cycling:	90°	90°	90°	90°
Body <sup>3)</sup> :	steel	steel	steel	steel
Trunnion ball <sup>2)</sup> :	brass, hard chrome plated	brass, hard chrome plated	brass, hard chrome plated	brass, hard chrome plated
Ball seats:	POM	PTFE	POM	PTFE
Shaft seals:	NBR	FKM	NBR	FKM

Connection	DN	Thread D	RA	L	L1	L2	B	H	H1	H2	D1	SW	SW1	Handle Code	Weight
For cut (clamp) ring tube fittings DIN 2353 light series ISO 8434-1	4	M12 x 1,5	6	100	10	55	70	40	20,0	44,5	6,7	19	12	7	1,60
	6	M14 x 1,5	8	100	10	55	70	40	20,0	44,5	6,7	19	12	7	1,60
	8	M16 x 1,5	10	109	11	65	80	50	25,0	54,5	6,7	24	14	8	2,50
	10	M18 x 1,5	12	109	11	65	80	50	25,0	54,5	6,7	24	14	8	2,50
	12	M22 x 1,5	15	130	12	80	100	55	27,5	59,5	8,4	30	14	8	4,16
	16/12	M26 x 1,5	18	136	12	80	100	55	27,5	59,5	8,4	30	14	8	4,26
	20	M30 x 2	22	138	14	85	100	75	40,0	79,5	8,4	41	19	10	5,72
	25	M36 x 2	28	157	14	105	120	81	43,5	85,5	10,5	50	19	10	8,60
	32	M45 x 2	35	210	16	106	Ø180	100	50,0	104,5	10,5	60	19	10	17,10
	40	M52 x 2	42	256	16	150	190	116	61,0	120,5	14,5	75	19	10	20,84
For cut (clamp) ring tube fittings DIN 2353 heavy series ISO 8434-1	4	M16 x 1,5	8	106	12	55	70	40	20,0	44,5	6,7	19	12	7	1,61
	6	M18 x 1,5	10	106	12	55	70	40	20,0	44,5	6,7	19	12	7	1,61
	8	M20 x 1,5	12	111	12	65	80	50	25,0	54,5	6,7	24	14	8	2,52
	10	M22 x 1,5	14	115	14	65	80	50	25,0	54,5	6,7	24	14	8	2,53
	12	M24 x 1,5	16	134	14	80	100	55	27,5	59,5	8,4	30	14	8	4,15
	16/12	M30 x 2	20	144	16	80	100	55	27,5	59,5	8,4	36	14	8	4,32
	20	M36 x 2	25	146	18	85	100	75	40,0	79,5	8,4	41	19	10	5,82
	25	M42 x 2	30	169	20	105	120	81	43,5	85,5	10,5	50	19	10	8,73
	32	M52 x 2	38	222	22	106	Ø180	100	50,0	104,5	10,5	60	19	10	17,40
	BSP-female thread DIN EN ISO 228-1	4	G 1/8	-	102	12	55	70	40	20,0	44,5	6,7	19	12	7
6		G 1/4	-	102	12	55	70	40	20,0	44,5	6,7	19	12	7	1,60
10		G 3/8	-	107	14	65	80	50	25,0	54,5	6,7	24	14	8	2,51
12		G 1/2	-	129	15	80	100	55	27,5	59,5	8,4	30	14	8	4,20
16/12		G 5/8	-	146	18	80	100	55	27,5	59,5	8,4	36	14	8	4,31
20		G 3/4	-	132	18	85	100	75	40,0	79,5	8,4	41	19	10	5,82
25		G1	-	162	20	105	120	81	43,5	85,5	10,5	50	19	10	8,95
32		G1 1/4	-	188	20	106	Ø180	100	50,0	104,5	10,5	60	19	10	16,61
40		G1 1/2	-	224	25	150	190	116	61,0	120,5	14,5	75	19	10	20,30
NPT-female thread ANSI/ASME B1.20.1-1983		4	1/8 - 27 NPT	-	102	6,9	55	70	40	20,0	44,5	6,7	19	12	7
	6	1/4 - 18 NPT	-	102	10,0	55	70	40	20,0	44,5	6,7	19	12	7	1,60
	10	3/8 - 18 NPT	-	107	10,3	65	80	50	25,0	54,5	6,7	24	14	8	2,51
	12	1/2 - 14 NPT	-	129	13,6	80	100	55	27,5	59,5	8,4	30	14	8	4,20
	20	3/4 - 14 NPT	-	132	14,1	85	100	75	40,0	79,5	8,4	41	19	10	5,85
	25	1 - 11 1/2 NPT	-	162	16,8	105	120	81	43,5	85,5	10,5	50	19	10	8,95
	32	1 1/4 - 11 1/2 NPT	-	188	17,3	106	Ø180	100	50,0	104,5	10,5	60	19	10	16,61
	40	1 1/2 - 11 1/2 NPT	-	224	17,3	150	190	116	61,0	120,5	14,5	75	19	10	20,30

DN	PN	Article-No.	PN	Article-No.	PN	Article-No.	PN	Article-No.
4	500	203 001	100	203 026	500	203 051	100	203 076
6	500	203 002	100	203 027	500	203 052	100	203 077
8	500	203 003	100	203 028	500	203 053	100	203 078
10	500	203 004	100	203 029	500	203 054	100	203 079
12	500	203 005	100	203 030	500	203 055	100	203 080
16/12	500	203 006	100	203 031	500	203 056	100	203 081
20	315	203 911	100	203 912	315	203 913	100	203 914
25	315	203 931	100	203 932	315	203 933	100	203 934
32	315 <sup>1)</sup>	203 253	100	203 278	315 <sup>1)</sup>	203 303	100	203 328
40	100	204 204	100	204 219	100	204 234	100	204 249
4	500	203 007	100	203 032	500	203 057	100	203 082
6	500	203 008	100	203 033	500	203 058	100	203 083
8	500	203 009	100	203 034	500	203 059	100	203 084
10	500	203 010	100	203 035	500	203 060	100	203 085
12	500	203 011	100	203 036	500	203 061	100	203 086
16/12	500	203 012	100	203 037	500	203 062	100	203 087
20	315	203 915	100	203 916	315	203 917	100	203 918
25	315	203 935	100	203 936	315	203 937	100	203 938
32	315 <sup>1)</sup>	203 257	100	203 282	315 <sup>1)</sup>	203 307	100	203 332
4	500	203 013	100	203 038	500	203 063	100	203 088
6	500	203 014	100	203 039	500	203 064	100	203 089
10	500	203 015	100	203 040	500	203 065	100	203 090
12	500	203 016	100	203 041	500	203 066	100	203 091
16/12	500	203 017	100	203 042	500	203 067	100	203 092
20	315	203 919	100	203 920	315	203 921	100	203 922
25	315	203 939	100	203 940	315	203 941	100	203 942
32	315 <sup>1)</sup>	203 260	100	203 285	315 <sup>1)</sup>	203 310	100	203 335
40	100	204 211	100	204 226	100	204 241	100	204 256
4	500	203 018	100	203 043	500	203 068	100	203 093
6	500	203 019	100	203 044	500	203 069	100	203 094
10	500	203 020	100	203 045	500	203 070	100	203 095
12	500	203 021	100	203 046	500	203 071	100	203 096
20	315	203 923	100	203 924	315	203 925	100	203 926
25	315	203 943	100	203 944	315	203 945	100	203 946
32	315 <sup>1)</sup>	203 264	100	203 289	315 <sup>1)</sup>	203 314	100	203 339
40	100	204 215	100	204 230	100	204 245	100	204 260

# Multi-way ball valves with trunnion ball

4-way · stainless steel · threaded connector · DN 4 - DN 32



Handle included in delivery

For handles refer to "Attachments, accessories"

For more porting patterns refer to "Standard- and special porting patterns".

Stainless steel (material no.1.4571 - or other stainless steels)

Also available with most other connections

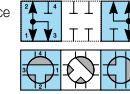
Actuators and custom orders on request

All dimensions subject to change without notice

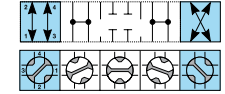
Dimensions in mm

Weight in kg

Pressure in bar



(reduced bore)



Bore:	T	T	Double-L	Double-L
Cycling:	90°	90°	90°	90°
Body:	stainless steel	stainless steel	stainless steel	stainless steel
Trunnion ball:	stainless steel	stainless steel	stainless steel	stainless steel
Ball seats:	PTFE	PTFE	PTFE	PTFE
Shaft seals:	FKM	FFKM	FKM	FFKM

Connection	DN	Thread D	RA	L	L1	L2	B	H	H1	H2	D1	SW	SW1	Handle Code	Weight	DN	PN	Article-No.	PN	Article-No.	PN	Article-No.	PN	Article-No.
For cut (clamp) ring tube fittings DIN 2353 light series ISO 8434-1	4	M12 x 1,5	6	100	10	55	70	40	20,0	44,5	6,7	19	12	7	1,60	4	100	203 501	100	203 526	100	203 551	100	203 576
	6	M14 x 1,5	8	100	10	55	70	40	20,0	44,5	6,7	19	12	7	1,60	6	100	203 502	100	203 527	100	203 552	100	203 577
	8	M16 x 1,5	10	109	11	65	80	50	25,0	54,5	6,7	24	14	8	2,50	8	100	203 503	100	203 528	100	203 553	100	203 578
	10	M18 x 1,5	12	109	11	65	80	50	25,0	54,5	6,7	24	14	8	2,50	10	100	203 504	100	203 529	100	203 554	100	203 579
	12	M22 x 1,5	15	130	12	80	100	55	27,5	59,5	8,4	30	14	8	4,16	12	100	203 505	100	203 530	100	203 555	100	203 580
	16/12	M26 x 1,5	18	136	12	80	100	55	27,5	59,5	8,4	30	14	8	4,26	16/12	100	203 506	100	203 531	100	203 556	100	203 581
	20	M30 x 2	22	138	14	85	100	75	40,0	79,5	8,4	41	19	10	5,72	20	100	203 751	100	203 776	100	203 801	100	203 826
	25	M36 x 2	28	157	14	105	120	81	43,5	85,5	10,5	50	19	10	8,60	25	100	203 752	100	203 777	100	203 802	100	203 827
	32	M45 x 2	35	210	16	106	Ø180	100	50,0	104,5	10,5	60	19	10	17,10	32	100	203 753	100	203 778	100	203 803	100	203 828
	For cut (clamp) ring tube fittings DIN 2353 heavy series ISO 8434-1	4	M16 x 1,5	8	106	12	55	70	40	20,0	44,5	6,7	19	12	7	1,61	4	100	203 507	100	203 532	100	203 557	100
6		M18 x 1,5	10	106	12	55	70	40	20,0	44,5	6,7	19	12	7	1,61	6	100	203 508	100	203 533	100	203 558	100	203 583
8		M20 x 1,5	12	111	12	65	80	50	25,0	54,5	6,7	24	14	8	2,52	8	100	203 509	100	203 534	100	203 559	100	203 584
10		M22 x 1,5	14	115	14	65	80	50	25,0	54,5	6,7	24	14	8	2,53	10	100	203 510	100	203 535	100	203 560	100	203 585
12		M24 x 1,5	16	134	14	80	100	55	27,5	59,5	8,4	30	14	8	4,15	12	100	203 511	100	203 536	100	203 561	100	203 586
16/12		M30 x 2	20	144	16	80	100	55	27,5	59,5	8,4	36	14	8	4,32	16/12	100	203 512	100	203 537	100	203 562	100	203 587
20		M36 x 2	25	146	18	85	100	75	40,0	79,5	8,4	41	19	10	5,82	20	100	203 755	100	203 780	100	203 805	100	203 830
25		M42 x 2	30	169	20	105	120	81	43,5	85,5	10,5	50	19	10	8,73	25	100	203 756	100	203 781	100	203 806	100	203 831
32		M52 x 2	38	222	22	106	Ø180	100	50,0	104,5	10,5	60	19	10	17,40	32	100	203 757	100	203 782	100	203 807	100	203 832
BSP-female thread DIN EN ISO 228-1		4	G 1/8	-	102	12	55	70	40	20,0	44,5	6,7	19	12	7	1,63	4	100	203 513	100	203 538	100	203 563	100
	6	G 1/4	-	102	12	55	70	40	20,0	44,5	6,7	19	12	7	1,60	6	100	203 514	100	203 539	100	203 564	100	203 589
	10	G 3/8	-	107	14	65	80	50	25,0	54,5	6,7	24	14	8	2,51	10	100	203 515	100	203 540	100	203 565	100	203 590
	12	G 1/2	-	129	15	80	100	55	27,5	59,5	8,4	30	14	8	4,20	12	100	203 516	100	203 541	100	203 566	100	203 591
	16/12	G 5/8	-	146	18	80	100	55	27,5	59,5	8,4	36	14	8	4,31	16/12	100	203 517	100	203 542	100	203 567	100	203 592
	20	G 3/4	-	132	18	85	100	75	40,0	79,5	8,4	41	19	10	5,82	20	100	203 758	100	203 783	100	203 808	100	203 833
	25	G1	-	162	20	105	120	81	43,5	85,5	10,5	50	19	10	8,95	25	100	203 759	100	203 784	100	203 809	100	203 834
	32	G1 1/4	-	188	20	106	Ø180	100	50,0	104,5	10,5	60	19	10	16,61	32	100	203 760	100	203 785	100	203 810	100	203 835
NPT-female thread ANSI/ASME B1.20.1-1983	4	1/8 - 27 NPT	-	102	6,9	55	70	40	20,0	44,5	6,7	19	12	7	1,63	4	100	203 518	100	203 543	100	203 568	100	203 593
	6	1/4 - 18 NPT	-	102	10,0	55	70	40	20,0	44,5	6,7	19	12	7	1,60	6	100	203 519	100	203 544	100	203 569	100	203 594
	10	3/8 - 18 NPT	-	107	10,3	65	80	50	25,0	54,5	6,7	24	14	8	2,51	10	100	203 520	100	203 545	100	203 570	100	203 595
	12	1/2 - 14 NPT	-	129	13,6	80	100	55	27,5	59,5	8,4	30	14	8	4,20	12	100	203 521	100	203 546	100	203 571	100	203 596
	20	3/4 - 14 NPT	-	132	14,1	85	100	75	40,0	79,5	8,4	41	19	10	5,85	20	100	203 762	100	203 787	100	203 812	100	203 837
	25	1 - 11 1/2 NPT	-	162	16,8	105	120	81	43,5	85,5	10,5	50	19	10	8,95	25	100	203 763	100	203 788	100	203 813	100	203 838
	32	1 1/4 - 11 1/2 NPT	-	188	17,3	106	Ø180	100	50,0	104,5	10,5	60	19	10	16,61	32	100	203 764	100	203 789	100	203 814	100	203 839