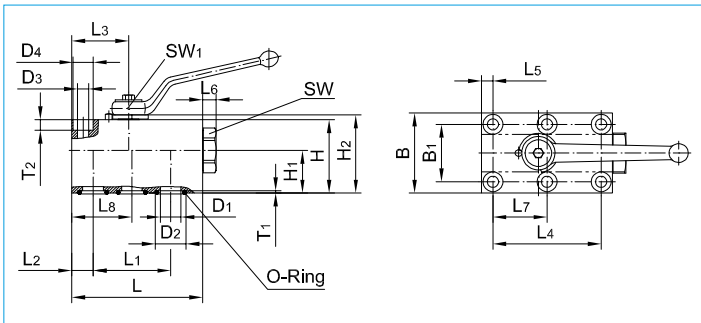


Multi-way ball valves with floating ball

3-way · steel · manifold mounting · DN 6 - DN 65



Handle and o-rings included in delivery

For handles refer to "Attachments, accessories".

✦ Application of pressure only as indicated in chapter "Technical information"

Actuators and custom orders on request

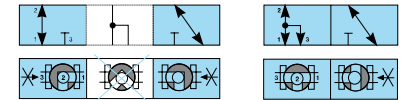
All dimensions subject to change without notice

*) DN 32 to DN 50: grey cast iron

Dimensions in mm

Weight in kg

Pressure in bar



Bore:	L	T
Cycling:	90°	90°
Body*:	steel	steel
Ball:	steel, hard chrome plated	steel, hard chrome plated
Stem:	steel	steel
Body seals:	NBR	NBR
Ball seats:	POM	POM
Stem seals:	NBR	NBR

Connection	DN	L	L1	L2	L3	L4	L5	L6	L7	L8	B	B1	H	H1	H2	T1	T2
Body-Flange with O-ring-seal	6	59	35	8,5	23,5	35	8,5	4,5	17,5	26,0	40	27	35	20,0	37,5	1,8	6,8
	10	73	44	10,0	29,0	55	7,5	7,0	27,5	29,0	55	40	45	24,5	48,5	1,8	8,0
	12	98	58	16,0	42,5	83	7,5	10,0	41,5	42,5	60	45	55	32,0	58,5	1,8	8,0
	20	117	69	20,0	52,0	97	10,0	12,0	48,5	52,0	70	51	70	39,0	74,0	2,7	11,0
	25	138	81	24,0	62,0	115	10,0	7,0	57,5	62,0	80	60	80	46,0	84,0	2,7	11,0
	32	165	96	29,0	75,0	136	12,0	11,0	68,0	75,0	100	78	100	56,6	104,5	2,7	12,0
	40	175	112	28,5	84,5	112	28,5	25,0	56,0	84,5	130	95	100	52,6	104,5	2,7	17,5
	50	215	136	38,0	106,0	136	38,0	25,0	68,0	106,0	150	112	110	55,1	114,5	2,7	20,0
	65	320	190	55,0	150,0	210	45,0	63,0	105,0	150,0	235	185	157	78,5	161,5	2,8	25,5

DN	D1	D2	D3	D4	SW	SW1	Handle Code	Weight
6	6,0	12,0	6,4	11	24	7	1	0,58
10	9,5	15,0	8,4	-	32	8	2	1,15
12	12,5	25,0	8,4	-	36	10	3	2,11
20	20,0	30,0	10,5	17	-	14	53	4,00
25	24,0	35,0	10,5	17	50	14	53	5,58
32	32,0	40,0	13,0	19	70	17	22	11,14
40	38,0	48,5	17,0	26	-	17	22	15,19
50	48,0	55,5	21,0	33	-	17	22	22,67
65	62,0	79,0	26,0	40	-	22	11	87,50

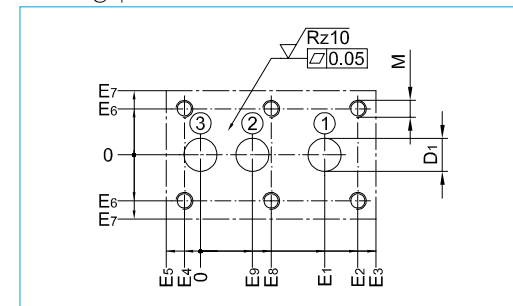
for Cylinder-head screws
DIN EN ISO 4762
(DIN 912)

PN	Article-No.	PN	Article-No.
500	206 101	500	206 121
500	206 102	500	206 122
500	206 103	500	206 123
400	206 104	400	206 124
400	206 105	400	206 125
400	206 106	400	206 126
400	206 107	400	206 127
400	206 108	400	206 128
400	206 109	400	206 129

DN	D1	E1	E2	E3	E4	E5	E6	E7	E8	E9	M	O-Ring
6	6,0	35	35,0	50,5	0,0	8,5	13,5	20,0	17,5	17,5	M 6	7,50 x 2,50
10	9,5	44	52,5	63,0	2,5	10,0	20,0	27,5	25,0	19,0	M 8	10,50 x 2,50
12	15,5	58	74,5	82,0	8,5	16,0	22,5	30,0	33,0	26,5	M 8	20,50 x 2,50
20	20,0	69	87,0	97,0	10,0	20,0	25,5	35,0	38,5	32,0	M10	23,50 x 3,50
25	24,0	81	101,0	114,0	14,0	24,0	30,0	40,0	43,5	38,0	M10	28,50 x 3,50
32	32,0	96	119,0	136,0	17,0	29,0	39,0	50,0	51,0	46,0	M12	33,50 x 3,50
40	38,0	112	112,0	146,5	0,0	28,5	47,5	65,0	56,0	56,0	M16	42,00 x 3,50
50	48,0	136	136,0	177,0	0,0	38,0	56,0	75,0	68,0	68,0	M20	49,00 x 3,50
65	62,0	190	200,0	265,0	10,0	55,0	92,5	117,5	95,0	95,0	M24	72,66 x 3,53

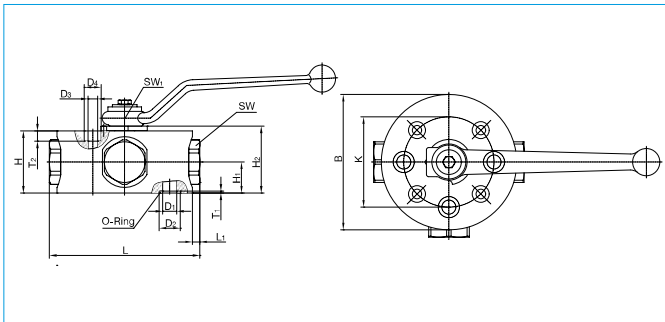
General tolerances
DIN ISO 2768
Surfaces
DIN EN ISO 4287

Drilling pattern



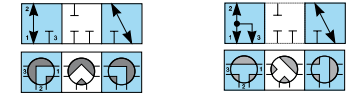
Multi-way ball valves with trunnion ball

3-way · steel · manifold mounting · DN 6 - DN 25



The body of the 3-way-version is identical with that of the 4-way-version.
The unused port is then to be sealed against the hydraulic manifold with an o-ring.

Handle and o-rings included in delivery
For handles refer to "Attachments, accessories"
For more porting patterns refer to "Standard- and special porting patterns".
Actuators and custom orders on request
All dimensions subject to change without notice
Dimensions in mm
Weight in kg
Pressure in bar



Bore:	L	T
Cycling:	90°	90°
Body:	steel	steel
Trunnion ball:	brass, hard chrome plated	brass, hard chrome plated
Body seals:	NBR	NBR
Ball seats:	POM	POM
Shaft seals:	NBR	NBR

Connection	DN	L	L1	B	H	H1	H2	K	D1	D2	D3	D4	T1	T2
Body-Flange with o-ring-seal	6	95	2,5	Ø 90	40,5	20,5	45,0	55	6,0	12,5	6,4	11	1,8	6,8
	10	108	4,0	Ø100	50,0	25,0	54,5	65	8,0	15,0	6,4	11	1,8	6,8
	12	133	6,5	Ø120	55,0	27,5	59,5	80	12,5	18,8	8,4	15	1,8	9,0
	20	190	5,0	Ø180	75,0	40,0	79,5	115	19,0	30,0	17,0	26	3,0	22,0
	25	210	5,0	Ø200	81,0	43,5	85,5	135	23,5	35,0	21,0	33	3,0	21,5
32	300	5,0	Ø290	100,0	50,0	104,5	200	32,0	40,0	25,0	40	3,0	26,5	

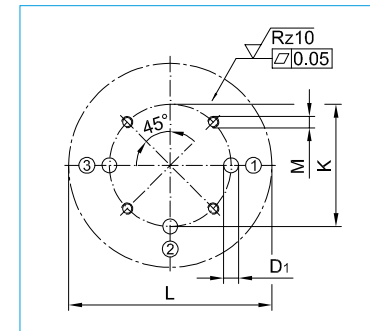
DN	SW	SW1	Handle Code	Weight	For Cylinder-head screws DIN EN ISO 4762 (DIN 912)
6	24	12	7	1,73	M 6 - 10,9
10	30	14	8	2,70	M 6 - 12,9
12	36	14	8	4,58	M 8 - 12,9
20	50	19	10	12,96	M16 - 8,8
25	60	19	10	16,60	M20 - 8,8
32	70	19	10	41,50	M24 - 8,8

PN	Article-No.	PN	Article-No.
400	206 501	400	206 561
400	206 502	400	206 562
400	206 503	400	206 563
315	206 504	315	206 564
315	206 505	315	206 565
315	206 506	315	206 566

DN	D1	K	L	M	O-Ring
6	6,0	55	95	M 6	8,0 x 2,5
10	8,0	65	108	M 6	10,0 x 2,5
12	12,5	80	133	M 8	14,0 x 2,5
20	19,0	115	190	M16	23,5 x 3,5
25	23,5	135	210	M20	28,1 x 3,5
32	32,0	200	300	M24	33,5 x 3,5

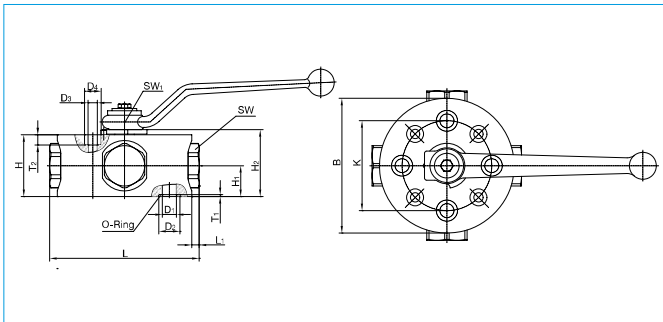
General tolerances
DIN ISO 2768
Surfaces
DIN EN ISO 4287

Drilling pattern DN 6 - DN 32

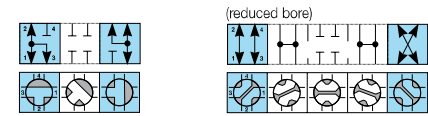


Multi-way ball valves with trunnion ball

4-way · steel · manifold mounting · DN 6 - DN 25



Handle and o-rings included in delivery
 For handles refer to "Attachments, accessories"
 For more porting patterns refer to "Standard- and special porting patterns".
 Actuators and custom orders on request
 All dimensions subject to change without notice
 Dimensions in mm
 Weight in kg
 Pressure in bar



Bore:	T	Double-L
Cycling:	90°	90°
Body:	steel	steel
Trunnion ball:	brass, hard chrome plated	brass, hard chrome plated
Body seals:	NBR	NBR
Ball seats:	POM	POM
Shaft seals:	NBR	NBR

Connection	DN	L	L1	B	H	H1	H2	K	D1	D2	D3	D4	T1	T2
Body-Flange with o-ring-seal	6	95	2,5	∅ 90	40,5	20,5	45,0	55	6,0	12,5	6,4	11	1,8	6,8
	10	108	4,0	∅ 100	50,0	25,0	54,5	65	8,0	15,0	6,4	11	1,8	6,8
	12	133	6,5	∅ 120	55,0	27,5	59,5	80	12,5	18,8	8,4	15	1,8	9,0
	20	190	5,0	∅ 180	75,0	40,0	79,5	115	19,0	30,0	17,0	26	3,0	22,0
	25	210	5,0	∅ 200	81,0	43,5	85,5	135	23,5	35,0	21,0	33	3,0	21,5
32	300	5,0	∅ 290	100,0	50,0	104,5	200	32,0	40,0	25,0	40	3,0	26,5	

DN	SW	SW1	Handle Code	Weight	For Cylinder-head screws DIN EN ISO 4762 (DIN 912)
6	24	12	7	1,73	M 6 - 10,9
10	30	14	8	2,70	M 6 - 12,9
12	36	14	8	4,58	M 8 - 12,9
20	50	19	10	12,96	M16 - 8,8
25	60	19	10	16,60	M20 - 8,8
32	70	19	10	41,50	M24 - 8,8

PN	Article-No.	PN	Article-No.
400	206 521	400	206 541
400	206 522	400	206 542
400	206 523	400	206 543
315	206 524	315	206 544
315	206 525	315	206 545
315	206 526	315	206 546

DN	D1	K	L	M	O-Ring
6	6,0	55	95	M 6	8,0 x 2,5
10	8,0	65	108	M 6	10,0 x 2,5
12	12,5	80	133	M 8	14,0 x 2,5
20	19,0	115	190	M16	23,5 x 3,5
25	23,5	135	210	M20	28,1 x 3,5
32	32,0	200	300	M24	33,5 x 3,5

General tolerances
 DIN ISO 2768
 Surfaces
 DIN EN ISO 4287

Drilling pattern DN 6 - DN 32

