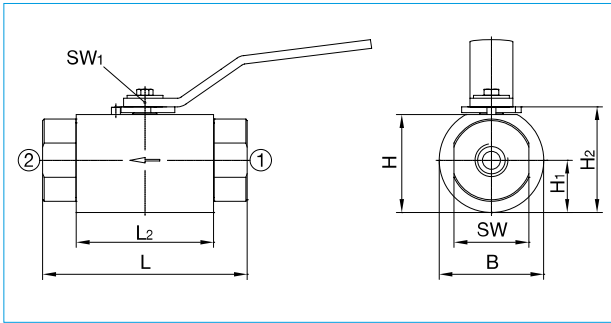


2-way ball valves with threaded connector

Stainless steel · DN 6 - DN 25 · Ultra-High Pressure



DN 6 - DN 12:
can be actuated up to 500 bar
DN 20 + DN 25:
can be actuated up to 400 bar

Unidirectional installation!

Note: Use only with fluid media!

*) Deviating from the standard:
longer connection thread

Handle included in delivery
Please check pressure rating of the pipe fittings!
For actuators and handles refer to "Attachments, accessories"
Custom orders on request
All dimensions subject to change without notice
Dimensions in mm
Weight in kg
Pressure in bar

Body:	stainless steel
Ball:	stainless steel
Stem:	stainless steel
Ball seats:	PEEK
Stem seals:	FKM

Connection	DN	Thread D	RA	L	L ₁	L ₂	B	H	H ₁	H ₂	SW	SW ₁	Handle Code	Weight	DN	PN	Article-No.
For cut (clamp) ring tube fitting DIN 2353 heavy series ISO 8434-1	6	M18 x 1,5	10	144,0	18*	92	79	76	39,5	80,5	46	12	30	4,1	6	1500	100 900
	8	M20 x 1,5	12	144,0	18*	92	79	76	39,5	80,5	46	12	30	4,1	8	1500	100 901
	10	M22 x 1,5	14	150,0	21*	92	79	76	39,5	80,5	46	12	30	4,1	10	1500	100 902
	12	M24 x 1,5	16	150,0	21*	92	79	76	39,5	80,5	46	12	30	4,1	12	1500	100 903
	20	M36 x 2	25	178,5	23*	115	90	88	45,0	93,0	55	12	30	6,1	20	1400	100 994
25	M42 x 2	30	202,0	25*	128	100	95	50,0	100,0	70	17	31	9,2	25	1000	100 991	
BSP-female thread DIN EN ISO 228-1	6	G 1/4	-	108,0	12	92	79	76	39,5	80,5	46	12	30	4,1	6	1500	100 906
	10	G 3/8	-	120,0	14	92	79	76	39,5	80,5	46	12	30	4,2	10	1500	100 907
	12	G 1/2	-	137,0	16	92	79	76	39,5	80,5	46	12	30	4,4	12	1500	100 908
	20	G 3/4	-	132,5	19	115	90	88	45,0	93,0	55	12	30	5,8	20	1400	100 995
	25	G 1	-	152,5	21	128	99	95	47,5	100,0	70	17	31	8,7	25	1000	100 993

