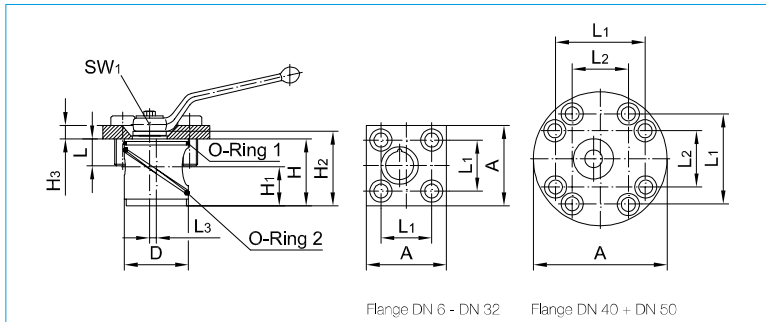


2-way ball valves for manifold insertion as cartridge type

Steel · DN 6 - DN 50



Handle and attachment screws included in delivery

For handle refer to "Attachments, accessories"

Actuators and custom orders on request

All dimensions subject to change without notice

Dimensions in mm

Weight in kg

Pressure in bar

Body:	steel	steel
Ball:	steel, hard chrome plated	steel, hard chrome plated
Stem:	steel	steel
Body seals:	NBR	FKM
Ball seats:	POM	POM
Stem seals:	NBR	FKM

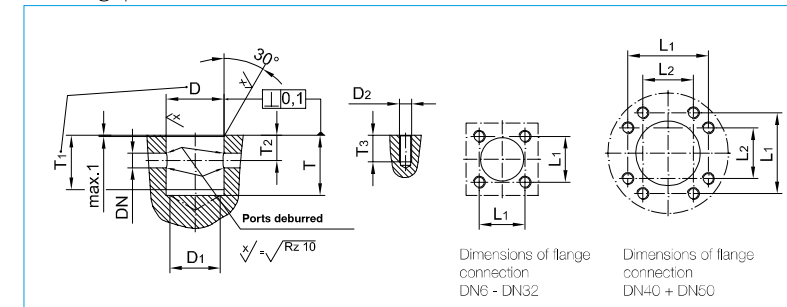
Connection	DN	D	H	H ₁	H ₂	H ₃	L	L ₁	L ₂	L ₃	SW ₁	A	Handle Code	DN	O-Ring 1	O-Ring 2	Weight	Cylinder-head screws DIN EN ISO 4762 (DIN 912)	PN		Article-No.	
																			PN	Article-No.	PN	Article-No.
Cavity	6	36	34,6	21,0	40,5	8	20	38	-	5,0	7	60	1	6	31,00 x 1,50	32,00 x 3,00	0,55	M10 x 25-12.9	500	107 001	500	107 021
	10	45	45,4	27,0	50,0	10	20	50	-	5,0	8	80	2	10	40,00 x 2,00	42,00 x 3,00	1,10	M12 x 25-12.9	500	107 002	500	107 022
	12	48	49,9	29,0	56,5	10	20	50	-	5,0	10	80	3	12	43,00 x 2,00	46,00 x 3,00	1,25	M12 x 25-12.9	400	107 003	400	107 023
	16	54	53,9	31,0	59,5	10	20	60	-	5,5	10	90	3	16	49,00 x 2,00	53,57 x 3,53	1,55	M12 x 25-12.9	315	107 009	315	107 029
	20	63	64,9	36,0	74,5	18	25	70	-	7,0	14	100	20	20	55,20 x 3,00	61,00 x 3,50	2,95	M16 x 35-12.9	315	107 004	315	107 024
	25	70	70,9	39,0	81,0	18	25	70	-	7,0	14	100	20	25	63,00 x 3,00	67,00 x 4,00	3,35	M16 x 35-12.9	315	107 005	315	107 025
	32	92	90,0	47,5	122,5	35	30	100	-	10,0	17	140	22	32	82,14 x 3,53	92,00 x 5,00	9,10	M20 x 50-12.9	315	107 006	315	107 026
	40	107	106,0	56,0	140,5	35	30	134	84	10,0	17	200	22	40	98,02 x 3,53	108,00 x 6,00	14,65	M20 x 50-12.9	315	107 007	315	107 027
	50	126	120,0	63,0	155,0	35	30	152	96	11,5	17	230	22	50	117,07 x 3,53	124,00 x 6,00	20,60	M20 x 50-12.9	315	107 008	315	107 028

General tolerances
DIN ISO 2768
Surfaces
DIN EN ISO 4287

DN	D H9	D ₁ max.	D ₂	L ₁ ±0,2	L ₂ ±0,2	T +0,1	T ₁ +0,2	T ₂ +0,1	T ₃ min.
6	36	31	M10	38	-	34,7	33	13,6	22
10	45	39	M12	50	-	45,5	41	18,4	22
12	48	42	M12	50	-	50,0	45	20,9	22
16	54	47	M12	60	-	54,0	49	22,9	22
20	63	55	M16	70	-	65,0	61	28,9	28
25	70	62	M16	70	-	71,0	66	31,9	28
32	92	80	M20	100	-	90,0	86	42,5	33
40	107	95	M20	134	84	106,0	101	50,0	33
50	126	115	M20	152	96	120,0	115	57,0	33

DN	Article-No. Mounting-tool
6	107 011
10	107 012
12	107 013
16	107 019
20	107 014
25	107 015
32	107 016
40	107 017
50	107 018

Drilling pattern



Dimensions of flange connection
DN6 - DN32

Dimensions of flange connection
DN40 + DN50

