

Kinetrol Model LB 240° Vane Dashpot



Rates

An adjuster permits any damping rate to be obtained within one of the following ranges. The range must be specified when ordering the dashpot.

- **LB1:** 4 to 40 Nm/rad/s / 35 to 350 lbf.ins/rad/s
- **LB2:** 8 to 80 Nm/rad/s / 71 to 710 lbf.ins/rad/s
- **LB3:** 17 to 170 Nm/rad/s / 150 to 1500 lbf.ins/rad/s
- **LB4:** 40 to 400 Nm/rad/s / 350 to 3500 lbf.ins/rad/s

With adjuster set to maximum the rate may exceed stated maximum and with adjuster set to minimum the rate may be less than stated minimum.

Options

The following features may be specified for any model:

Differential Rate (FC or FAC)

Gives a large resistance in one direction only and less than 1/10 resistance in the other. Specify free clockwise or free anticlockwise when viewed from shaft end.

Double Damping (DD)

Gives equal resistance in either direction.

Couplings

Steel couplings are available as an option.

Ordering Codes

LB1, 2, 3 or 4 – DD
LB1, 2, 3 or 4 – FC or FAC

Specification

Max. safe torque

160 Nm / 1400 lbf.ins

Continuous power dissipation not to exceed 80W at 20°C (68°F) ambient

Angle of travel

240° ± 5°

External end stops must be provided

Max. shaft end load

22 N / 5 lbf

Max. shaft side load

890 N / 200 lbf

Ambient temperature range

0°C to 60°C (32°F to 140°F)

Frictional torque

0.5 Nm / 5 lbf.ins typical

Shaft material

Stainless steel 441S49

Body material

Zinc alloy Ilzro 16

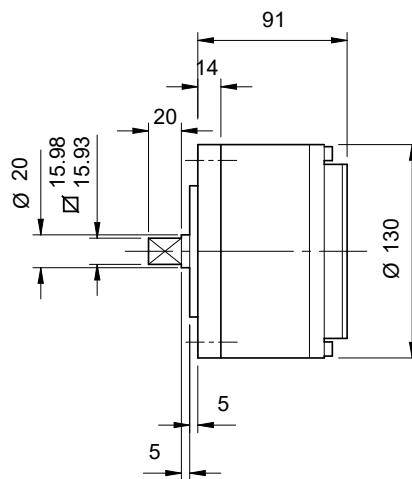
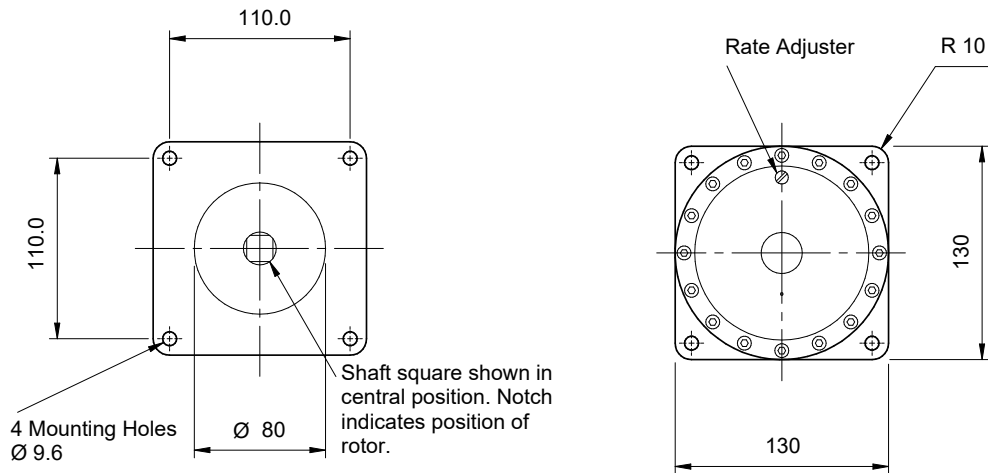
Weight

6.14 kg / 13.5 lbs

Kinetrol Model LB 240° Vane Dashpot

Dimensions

Dimensions in mm



OPTIONAL COUPLING

