

Kinetrol Model 40 Spring Return Single Acting Actuator

Specification

Angle of Travel (adjustable)

80° - 100°

(restricted travel versions available)

Displaced Volume

64526 cm³ / 3935 in³

Materials of Construction

Casing: Sand cast aluminium alloy

Vane & Output Shaft: SG iron, zinc plated

Shaft bushes: PTFE coated bronze (lead free)

Seals: Moulded polyurethane

Seal expanders: Stainless spring steel

Finish

Epoxy thermoset powder

Weight

941.0 kg / 2074.55 lb (excluding coupling)

Operating Temperature

-40°C to +80°C (-40°F to +176°F)



ATEX Up to Category 2

Spring Torques

Metric Units - Nm

Actuator Model	Position of air OR spring return stroke	Pressure (bar)											
		1.7	2.0	2.4	2.8	3.1	3.5	3.8	4.1	4.5	4.8	5.2	5.5
40-120-8300	Start					6712.0	7537.0	8116.0	8771.0				
	Finish					5604.0	6293.0	6776.0	7332.0	7332.0	7332.0	7332.0	7332.0
40-120	Start									9826.0	10529.0	11257.0	11985.0
	Finish									8204.0	8791.0	9398.0	10005.0

English Units - lbf ins

Actuator Model	Position of air OR spring return stroke	Pressure (psi)											
		25	30	35	40	45	50	55	60	65	70	75	80
40-120-8300	Start					59407	66708	71833	77630				
	Finish					49600	55698	59973	64806	64806	64806	64806	64806
40-120	Start									86968	93190	99633	106077
	Finish									72612	77807	83180	88552

Options

- Fail safe spring return units - clockwise or counter clockwise
- EL electropneumatic positioner - full range of options
- Limit switch boxes for open/closed indication - various switches including hazardous area
- DP3 positioner - full range of options
- AP pneumatic positioner - full range of options
- Low temperature option

Kinetrol Model 40 Spring Return Single Acting Actuator

Product Code

400-120 (400-130)

409-120 (409-130)

● Air Ports

G2

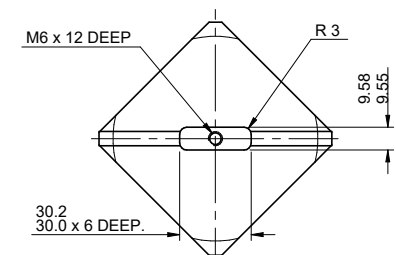
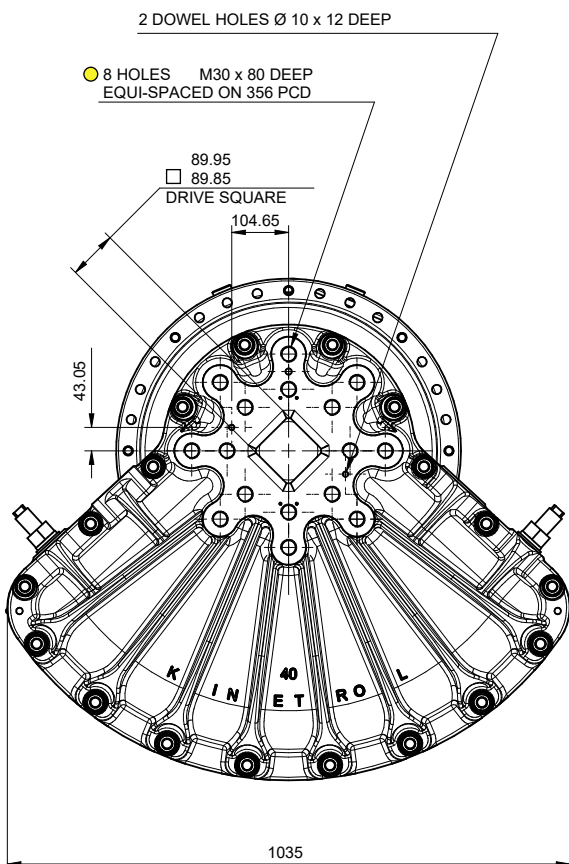
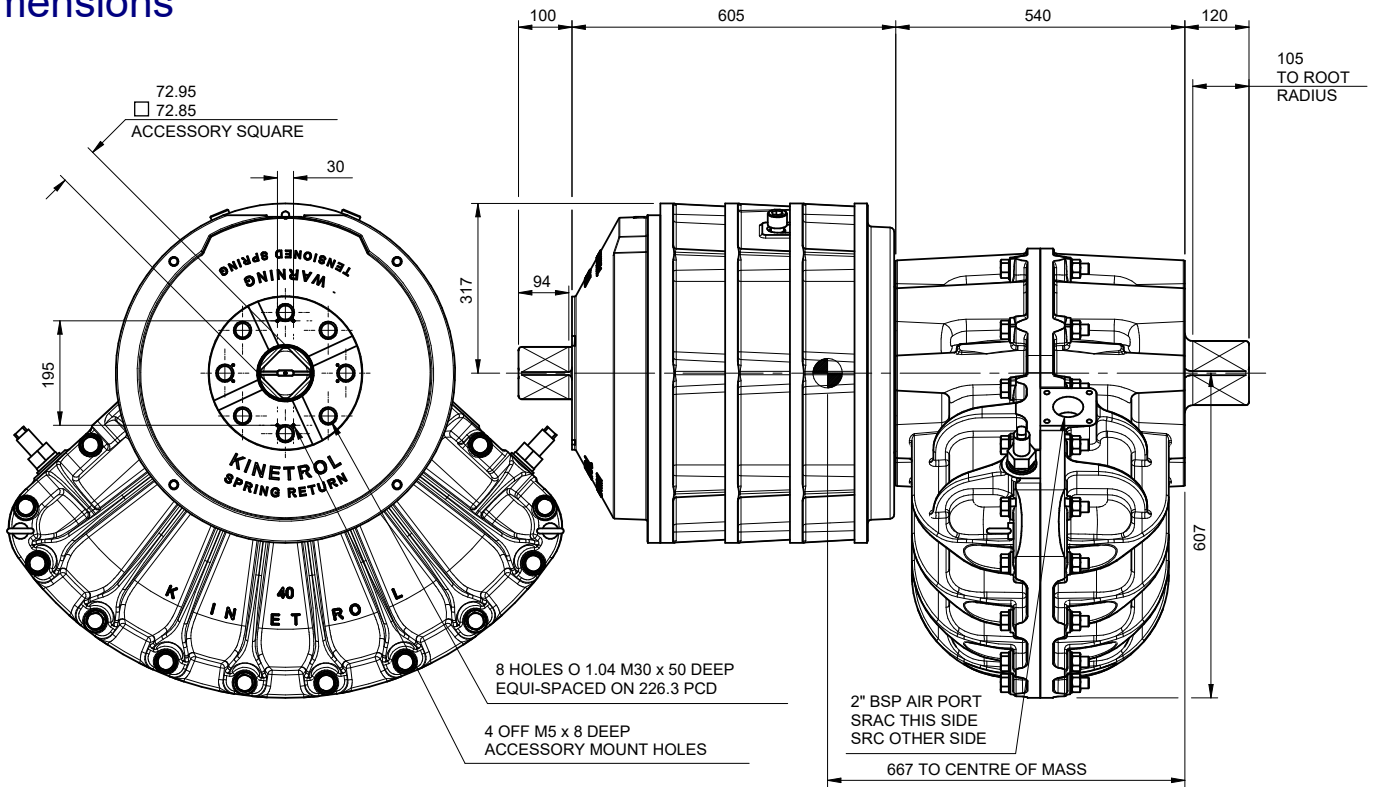
2 NPT

● Mount Holes

8 x M30 x 80 deep on 356 PCD

8 x 1½-7 UNC x 3.15" deep on 14.02" PCD

Dimensions



VANE SLOT DETAILS ACCESSORY SQUARE