

Kinetrol Stainless Steel VLS Limit Switch Box

Offers a wide range of signalling options in a fully enclosed, stainless steel case. Available for direct mounting onto Kinetrol rotary actuators or discrete mounting via an industry standard VDI/VDE interface onto any make of rotary actuator.

Easy to wire and set up with industrial standard robustness. Internally fitted options include AS Interface digital communication and a 4-20mA, 2-wire modulating angle retransmit circuit.

The range of switch and terminal arrangements includes 2 or 4 switches, extra connections allowing single point termination of wiring for limit switches and solenoid valves.



Specification

Casing

CF3M / 316L stainless steel

Finish

Shot blasted, acid pickled

Seals

Nitrile rubber 'O' ring seals

Cable entry options

4 entries

M20 x 1.5 Conduit thread

or

½ NPS Conduit thread

Options

- Discrete VDI/VDE (NAMUR) interface option for use with any industry standard rotary actuators
- Units sealed to IP67/NEMA 6
- Robust corrosion resistant stainless steel box
- Easy and accurate setting of switch position
- Available for direct mounting to Kinetrol 05, 07 and 09 stainless steel actuators
- Quick access - No special tools required
- Four cable entries as standard to allow back wiring of solenoid valves
- Multiple switch options available for general and hazardous areas
- AS Interface bus circuit option inside box reads up to 4 switch inputs, drives up to 2 solenoids powered by bus only (see Kinetrol ASi Interface Bus Communication data sheet for more information)
- DeviceNet option inside box with various network speeds allows 2 on / off inputs and drives up to 2 solenoids (see Kinetrol DeviceNet Communications data sheet for more information)
- Optional Clear Cone monitor available
- Integral LED indicator lamps and angle retransmit circuit options are available

Kinetrol Stainless Steel VLS Limit Switch Box

LOAD RATINGS FOR STANDARD MICROSWITCHES (type 004)

Voltage	Resistive Load
125 V AC	15A
250 V AC	15A
up to 12 V DC	15A
up to 24 V DC	10A
up to 48 V DC	3A
up to 250 V DC	0.25A

MULTIPLICATION FACTORS FOR NON-RESISTIVE LOADS

Steady state tungsten lamp load	- x 0.1
Steady state inductive load	- x 0.2
Peak inductive load	- x 1.0

Weight

SS VLS	-	3.2 kg / 7.05 lb
--------	---	------------------

Temperature Range

Standard -20°C to +80°C (-4°F to +176°F)
High Temp Seals up to 100°C (212°F)
Also see switch temperatures

Switch Options

Switch Type 002

2 pneumatic switches with 4mm (5.32") push in fittings (ATEX CAT 2), normally closed.
Ambient temperature range -15°C to +60°C (+5°F to +140°F)

Switch Type 004

2 x 3 wire microswitches for SPDT.
Ambient temperature range -40°C to +80°C (-40°F to +176°F)

Switch Type 005

2 x 2 wire proximity sensors 20-250 volts AC, 10-300 volts DC, normally open.
Ambient temperature range -25°C to +70°C (-13°F to +158°F)

Switch Type 006

2 x 2 wire proximity sensors 5-60 volts DC, normally open, with LED switch status indicators.
Ambient temperature range -20°C to +80°C (-4°F to +176°F)

Switch Type 007

4 x 3 wire microswitches for SPDT.
Ambient temperature range -40°C to +80°C (-40°F to +176°F)

Switch Type 008

2 x 2 wire inductive slotted proximity sensors, normally closed.
Ambient temperature range -20°C to +80°C (-4°F to +176°F)

Switch Type 00E

2 x 2 wire proximity sensors 20-140 volts AC / 10-140 volts DC.
Ambient temperature range -25°C to +80°C (-13°F to +176°F)

Switch Type 00M

4 x 3 wire inductive proximity sensors 10-30 volts DC, normally open.
Ambient temperature range -25°C to +70°C (-13°F to +158°F)

Switch Type 00N

2 x 3 wire inductive proximity sensors 10-30 volts DC, normally open.
Ambient temperature range -25°C to +80°C (-13°F to +176°F)

Electronics Option B - E *

AS interface options are available with both the two and four entry Kinetrol VLS Limit Switch Box. Options B to E allow for different extended addressing options.

Electronics Option P *

Two or four way VLS Limit Switch Box fitted with potentiometer (20K ohms conductive plastic type).

Electronics Option R *

Two or four entry VLS Limit Switch Box fitted with angle retransmit, loop powered two wire circuit passes 4-20mA current, proportional to 0-90° position of actuator.

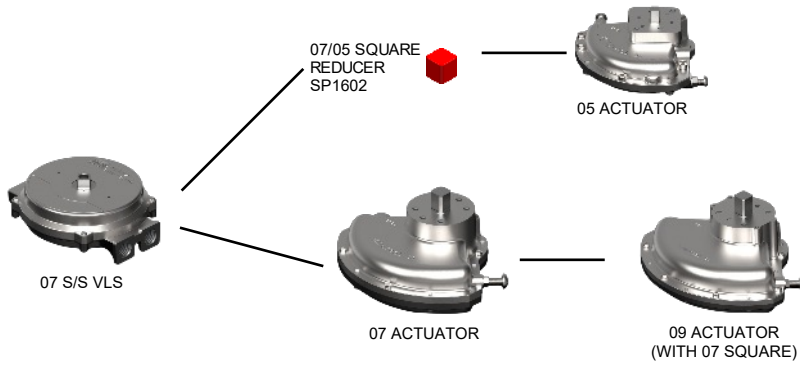
Electronics Option U (standard) *

Two or four entry VLS Limit Switch Box without AS interface card, angle retransmit or potentiometer.

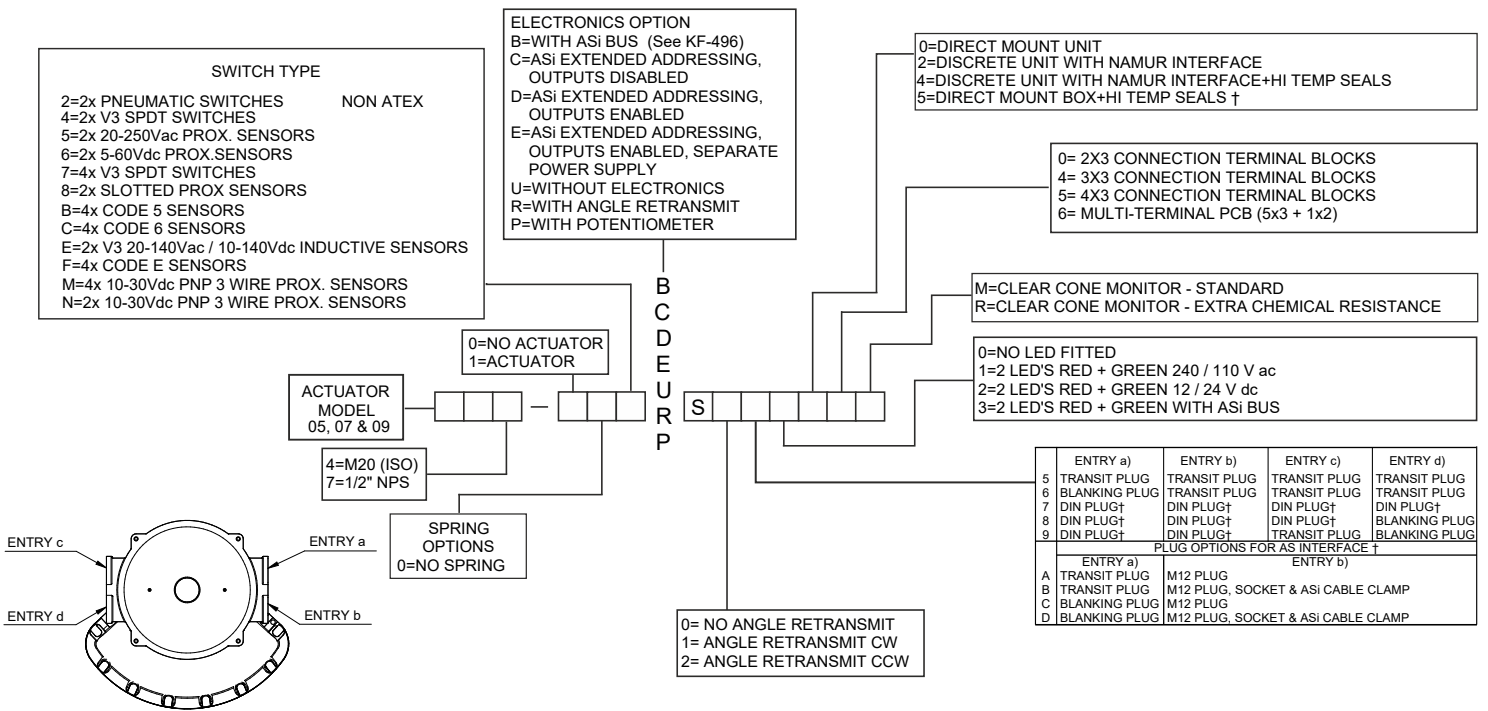
* For more details on Electronics options see Kinetrol Asi Interface Bus Communication data sheet

Kinetrol Stainless Steel VLS Limit Switch Box

S/S VLS MODULAR BUILD ARRANGEMENT



Ordering Codes



Dimensions

