

Kinetrol PDK Valve

Three-piece severe duty ball valves

Specification

Class 900 (148.9 Bar Max)

Floating Ball - Reduced Bore

O-ring loaded UHMWPE Seats

Tested at 100bar – 1M cycles

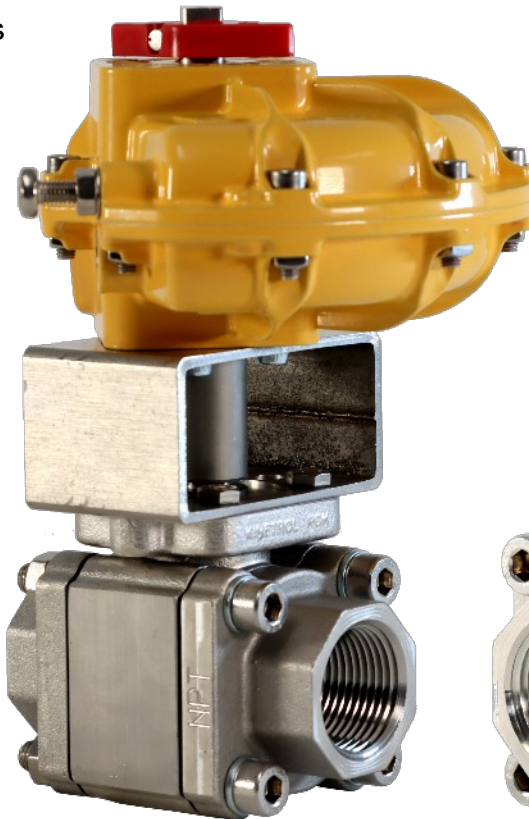
ISO5211 Mounting Pad

Operating Limits -40°C to 80°C
(-40°F to 176°F)

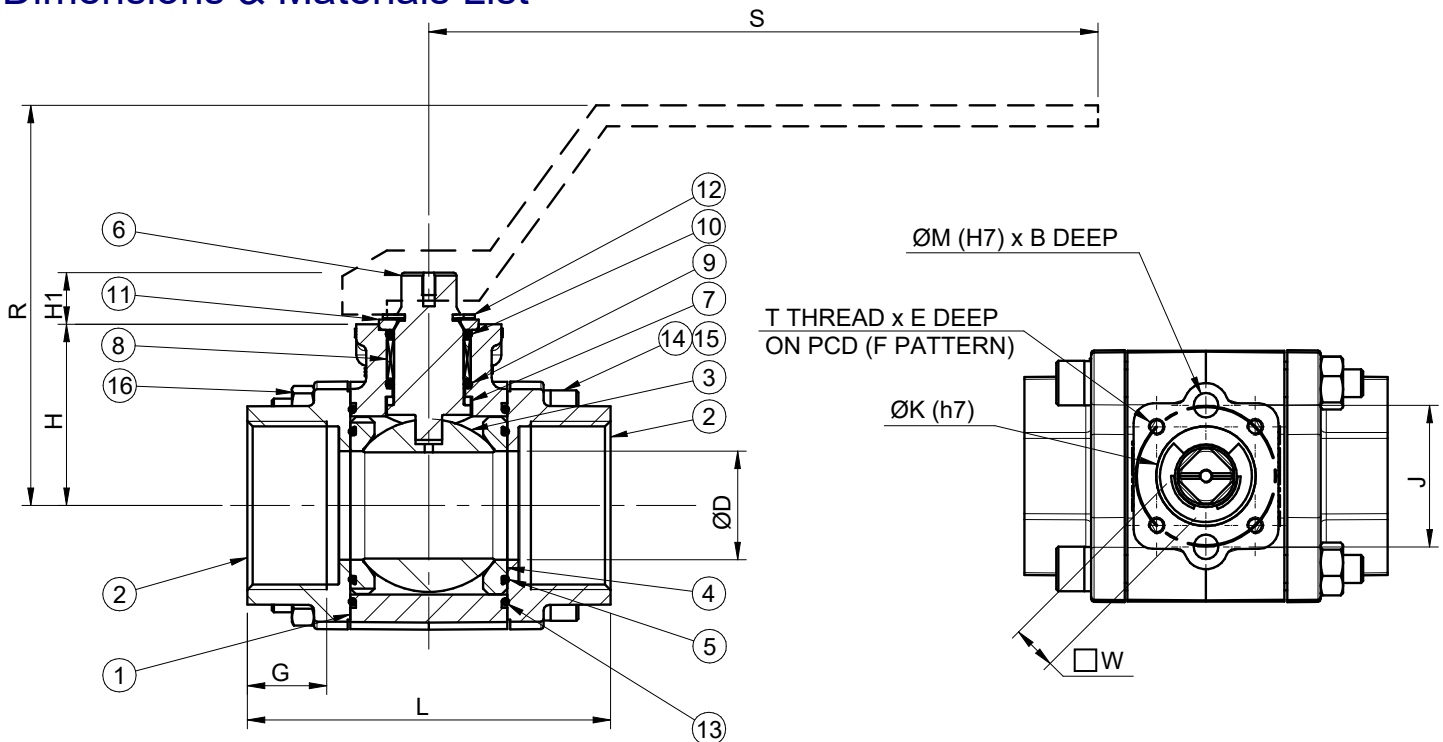
PED Category I Module A
Group 2 : Liquids & Gases

Designed to EN12516-1

Tested to EN1226-1



Dimensions & Materials List



DN	NPS	W	K	$\varnothing M$	B	F	N	T	E
25	1	9.5	36	8.8	4	F05	4	M6	10
50	2	16.0	36	8.8	4	F05	4	M6	10

DN	D	G	L	R	S	H	H1	J	PCD	Cv	Torque (Nm)*	Weight (kg)
25	20.0	22	96	64	175	42.5	15.0	50.8	50	27	10	1.8
50	37.1	29	130	144	240	65.0	18.5	50.8	50	96	45	4.4

* does not include safety factor

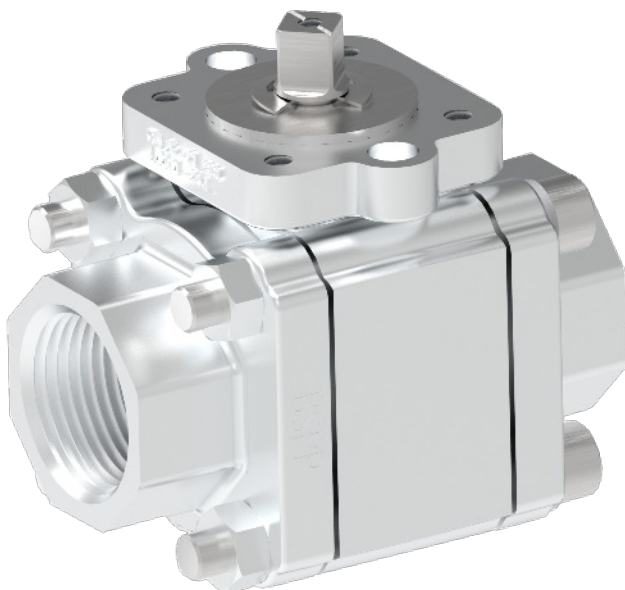
Kinetrol PDK Valve

No.	Part Name	Material
1	Body	CF3M
2	End Cap	CF3M
3	Ball	CF3M
4	Ball Seat	UHMWPE
5	Seat O-ring	Nitrile
6	Stem	17-4PH / 316SS
7	Thrust Washer	UHMWPE
8	Stem Bearing	UHMWPE

No.	Part Name	Material
9	Stem O-ring	Nitrile
10	Bush O-ring	Nitrile
11	Stem Washer	316
12	Circlip	Plated Carbon Steel
13	Body O-ring	Nitrile
14	Bolt	A4-70
15	Washer	A4-70
16	Nut	A4-70

Features & Benefits

- UHMWPE Seats** Ultra High Molecular Weight Polyethylene (UHMWPE) is extremely wear-resistant compared to PTFE. The valve seats last much longer than standard PTFE valve seats under the same conditions
- O-ring Loaded Seat** Upstream and downstream, the valve seat continues to be pre-loaded onto the ball as it wears, ensuring the valve retains shut off tightness so media cannot leak past the seat
- UHMWPE Stem Bearing** Stem alignment does not deteriorate over the life of the valve
- 2 off Stem O-rings** Stem leakage and foreign particle ingress is prevented by two stem o-ring seals. External leakage is prevented without the requirement to continually tighten a gland nut. In addition, the bearing surfaces are protected from particle ingress
- Dowels in Valve Mounting Flange** Ensures good alignment between the valve and actuator, preventing premature failure from misalignment loading



Kinetrol actuator on valve installed on highly abrasive kaolin slurry feed pipes.