

Kinetrol ISO Adaptor

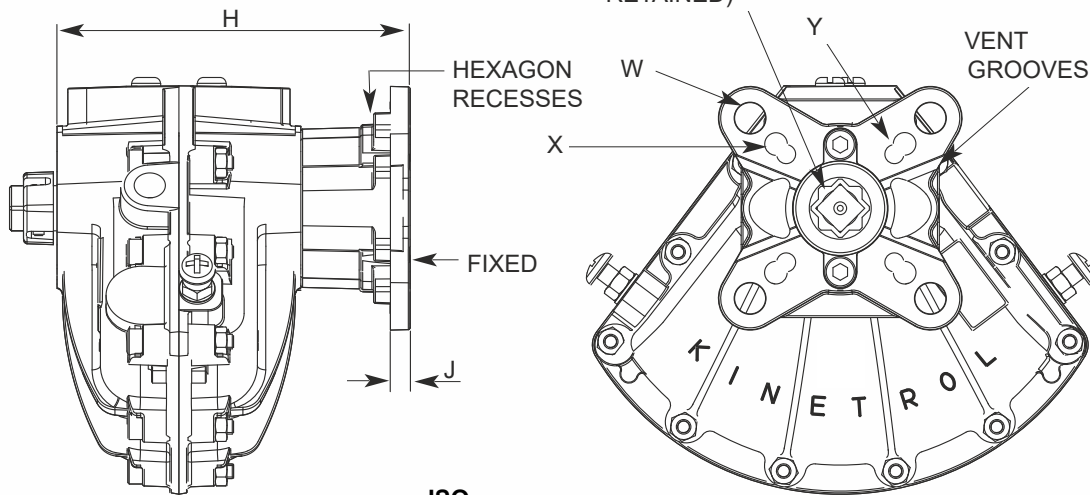
Ultimate Mounting Flexibility

- **Low cost direct mount flange and coupling for mounting to valves with ISO 5211 drive interfaces, available for actuator models 02, 03, 05, 07, 08 and 09**
- **Mounting directly to standard Kinetrol double acting actuator thereby reducing stocking requirements**
- **Multiple mounting hole sets in one part**
- **International patents.** The novel design allows metric mounting screws to face in either direction. Valve flanges with tapped holes can easily be interfaced for the first time. Nut recesses in flange make for easy installation
- **Robust epoxy coated zinc alloy (02 & 07) and aluminium alloy (03, 05, 08 & 09) adaptor with no threads for maximum corrosion resistance**
- **Female drive bi-square (star) coupling is retained by adaptor and made from zinc plated steel (other materials available on request)**
- **Serrated drive versions also available.**



International Patents

FEMALE
BI-SQUARE
G x E DEEP
(COUPLING
RETAINED)



| Adaptor Kit* | Order Codes | ISO Flange Sizes | H mm | J mm | G mm | E † mm | W PCD mm | X PCD mm | Y PCD mm | Weight Kg |
|--------------|---|------------------|------|------|------|--------|----------|----------|----------|-----------|
| SP 1406 ♦ | 023F120 / 023F100 | F03/F05 | 74 | 5.0 | 11 | 12 | 6.6 50 | 5.5 36 | - | 0.13 |
| SP 1407 ♦ | 023F180 / (024-100Z fitted with SP1407) | F04 | 74 | 5.0 | 11 | 12 | 5.5 42 | - | - | 0.13 |
| SP 1449 | 033F100** | F03/F05 | 84 | 5.0 | 11 | 12 | 6.6 50 | 5.5 36 | - | 0.06 |
| SP 1454 | 034-100Z fitted with SP1454 | F04 | 84 | 5.0 | 11 | 12 | 5.5 42 | - | - | 0.06 |
| SP 1339 ♦♦ | 053F100 | F04/F05/F07 | 97 | 5.4 | 14 | 17 | 9.0 70 | 6.6 50 | 5.5 42 | 0.18 |
| SP 1451 ♦ | 073F100 | F05/F07 | 140 | 8 | 17 | 19 | 9.0 70 | 6.6 50 | - | 0.53 |
| SP 1445 ♦ | 083F100 | F07/F10 | 160 | 10 | 22 | 24 | 11.0 102 | 9.0 70 | - | 1.04 |
| SP 1452 ♦ | 093F100 | F07/F10 | 176 | 10 | 22 | 24 | 11.0 102 | 9.0 70 | - | 1.04 |

* ANSI (e.g. ASP1449) colour versions (identical dimensions) also available.

** Default 03 version

† Minimum

♦ Also mounts directly to male drive spring units

♦♦ Model 05 male drive spring units must use SP1450 (not SP1339)