

MC30 Plug and Socket Coil Unit



DESCRIPTION

Moulded Plug and Socket safe area coil.

FEATURES

- PG.9 cable gland (cable diameter 6 - 8mm)
- Protection class IP65 according to ENBS60529
- Plug connector DIN 43650 - form A / ISO 4400
- Continuously rated
- Maximum permitted voltage variation $\pm 10\%$
- Maximum ambient temperature $+60^{\circ}\text{c}$
- Low power consumption
- Wide range of voltages available

PRODUCT CODE: **AV4525P00**



VOLTAGE

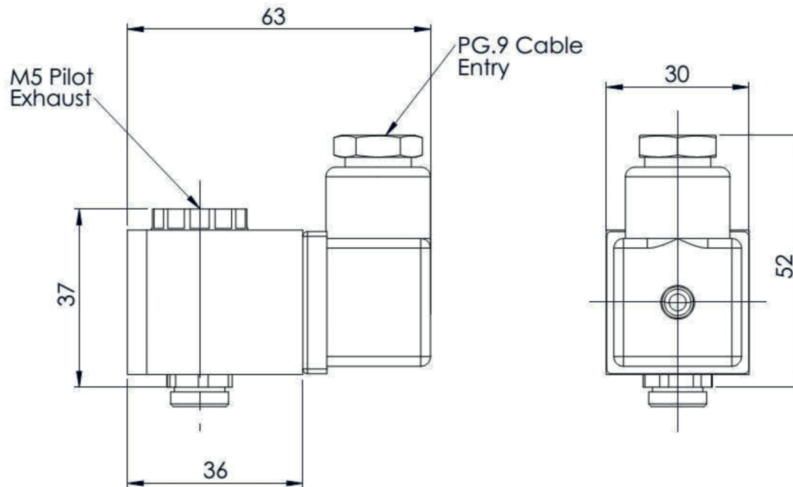
SEE BELOW FOR
PRODUCT CODE
DETAILS

Any of the below options that
are not required enter '0' in
relevant box.

Standard Voltage

B	24v DC
R	24v AC (50/60 Hz)
T	110v AC (50/60 Hz)
U	240v AC (50/60 Hz)

DIMENSIONS (mm)



MATERIAL SPECIFICATIONS

STANDARD

Coil Case	Zinc Alloy Epoxy Powder Coated
Plug Connector	Polyamide +30% Glass Filled
Armature and Fixed Pole Piece	Magnetic Solenoid Quality Stainless Steel
Springs	Stainless Steel
Seals and Seats	Nitrile (Viton available)
Coil Former	30% Glass Filled PBR
Magnetic Wire	Class H Coated Copper

SOLENOID SPECIFICATIONS

Coil Type	DC Solenoid Coil	AC Solenoid
Voltage Standard	24	24, 110, 240 (50/60 Hz)
Voltage Tolerance	-10%	-10%
Ambient Temperature	-20 to +60°C	-20 to +60°C
Duty Cycle	100%	100%
Degree Of Protection	IP65	IP65
Electrical Connection	PG.9 Cable Gland	PG.9 Cable Gland
Power Consumption	2.0W	Pull In - 9VA, Holding - 5VA
Pressure Range	0 - 10 Bar	0 - 10 Bar

All information subject to change

Official Stockist:

Powerite - Division of Kinetrol Ltd, Steelpark Trading Estate, Steelpark Way, Wolverhampton, WV11 3BF
Tel: 01902 780700 Email: enquiries@powerite.co.uk www.powerite.co.uk